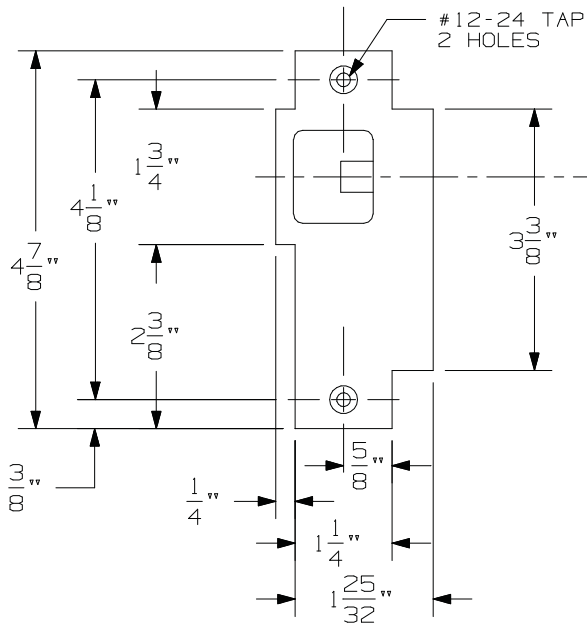
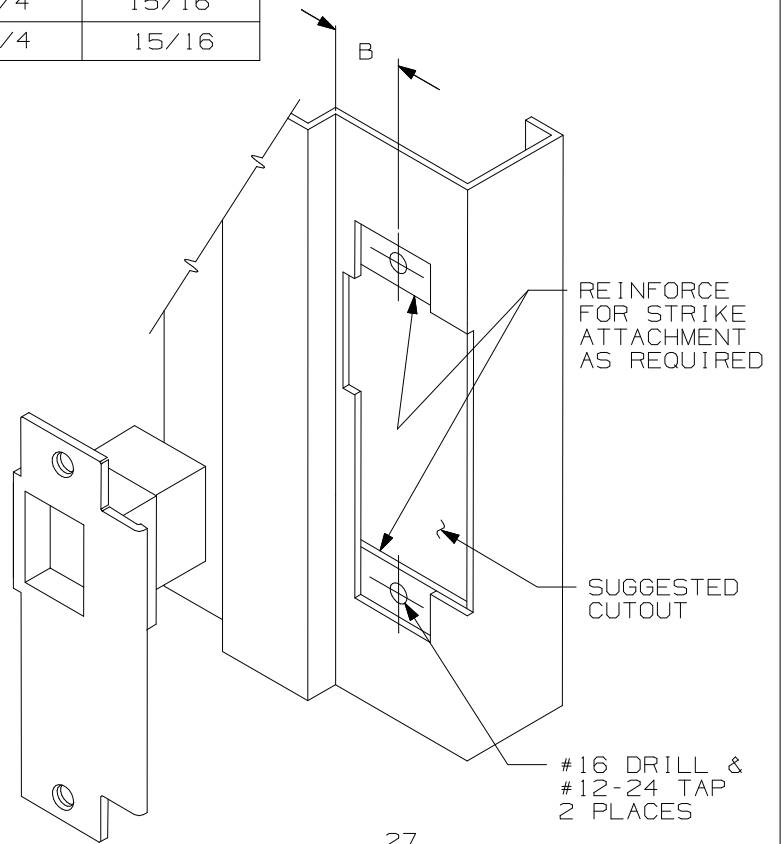
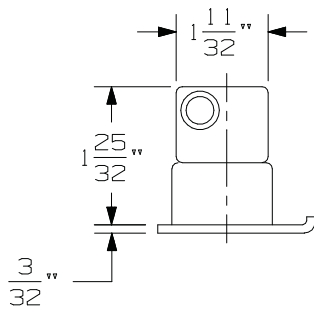


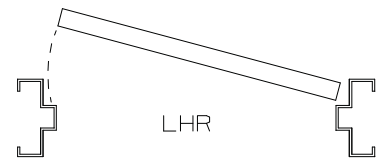
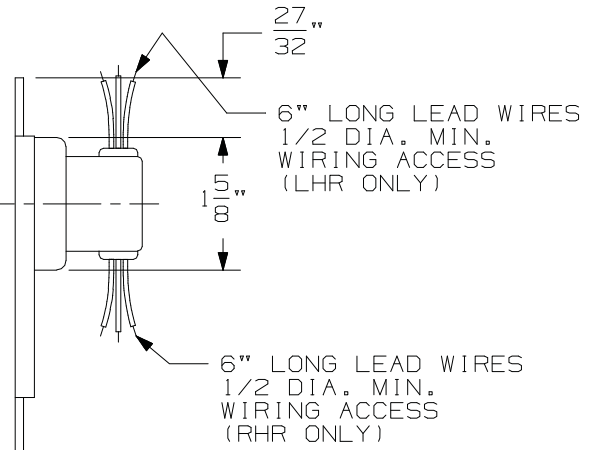
4582 MORTISE LOCK APPLICATION SCHEDULE

MANUFACTURER	MODEL	THROW (IN.)	DIM "B" (IN.)
CORBIN	9500 (T-2 TRIPPER)	3/4	15/16
RUSSWIN	5000 (T-2 TRIPPER)	3/4	15/16
VON DUPRIN	7500 (T-1 TRIPPER)	3/4	15/16

(B)



LATCH BOLT & STRIKE CAVITY



LHR SHOWN, RHR OPPOSITE

NOTE: THIS TEMPLATE IS TO BE USED FOR MORTISE LOCKS WITH THE AUXILIARY BOLT LOCATED BELOW THE LATCH BOLT.

4582 MONITOR STRIKE METAL FRAME APPLICATION



NOTE: SEE MASTER SHEET NO. 10001 FOR SUGGESTED REINFORCING.

TEMPLATE NUMBER:

30213_B

DATE: 01-18-10