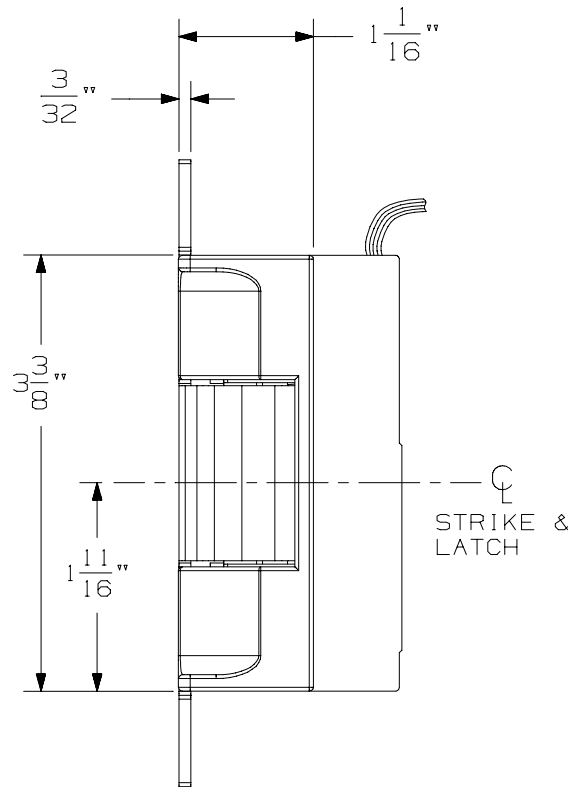
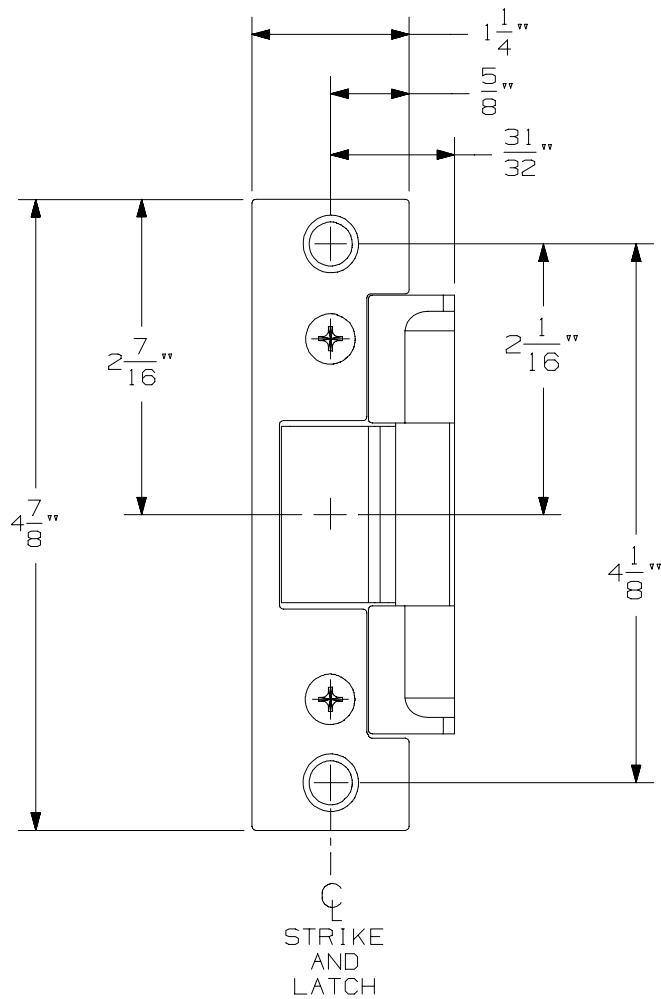


RIGHT HAND APPLICATION
LEFT HAND OPPOSITE



NOTES:
THIS STRIKE FOR USE WITH
5/8" MAX. THROW CYLINDRICAL
LATCHES OR DEAD LATCHES.

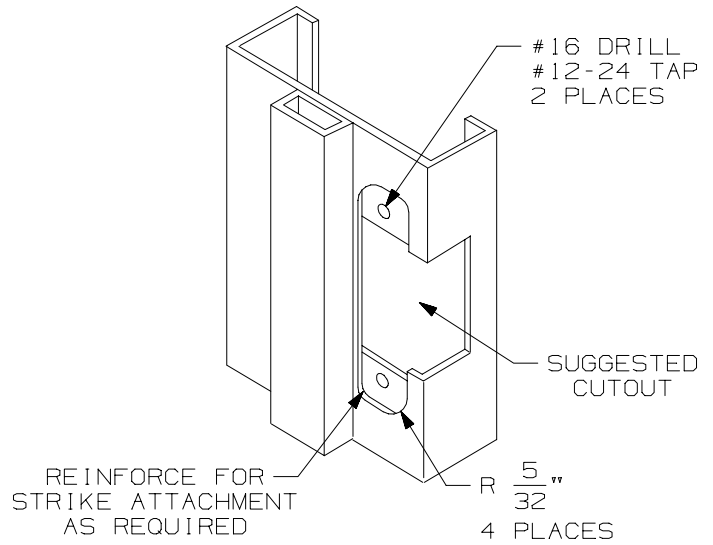
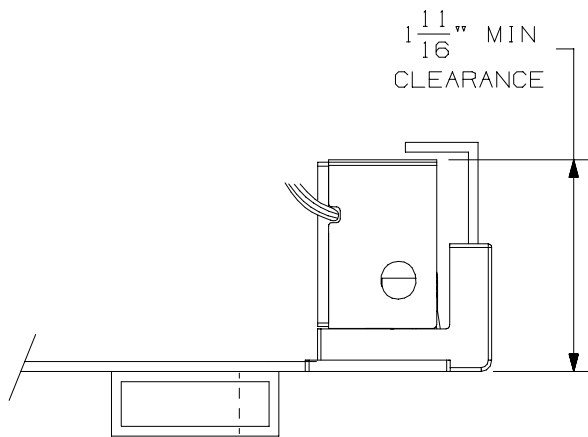
5100 MODEL STRIKE
HOLLOW METAL FRAME APPLICATION



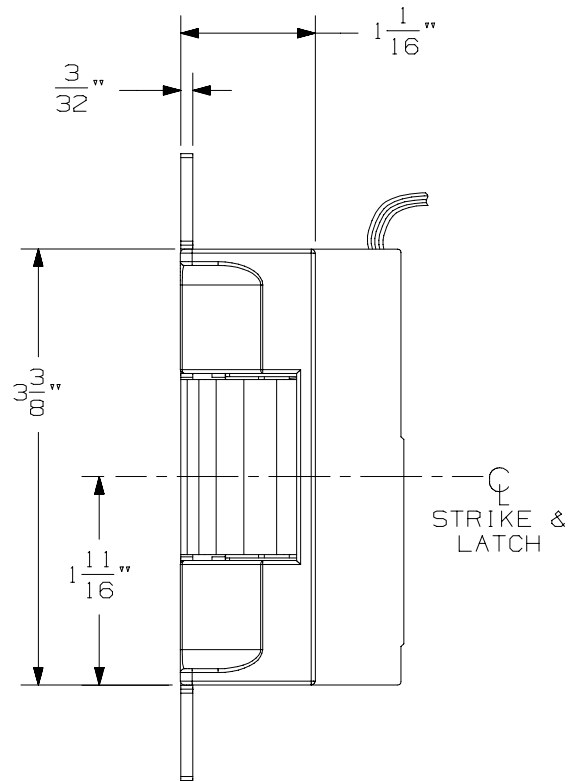
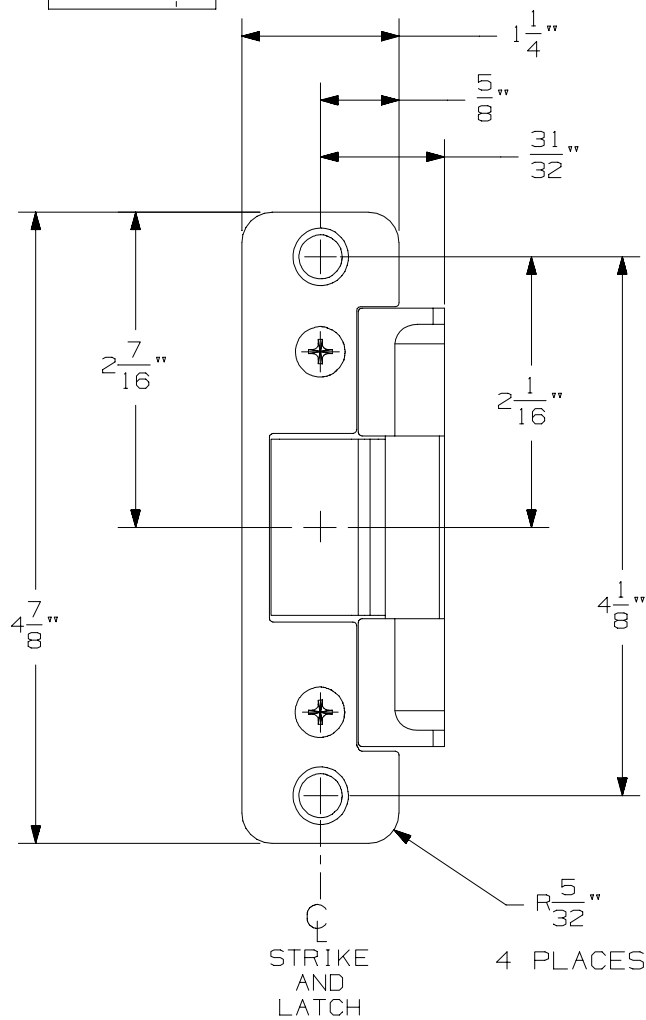
NOTE:

TEMPLATE NUMBER: 30214_OSHT1

DATE: 03-06-01



RIGHT HAND APPLICATION
LEFT HAND OPPOSITE



NOTE:
THIS STRIKE FOR USE WITH
5/8" MAX. THROW CYLINDRICAL
LATCHES OR DEAD LATCHES.

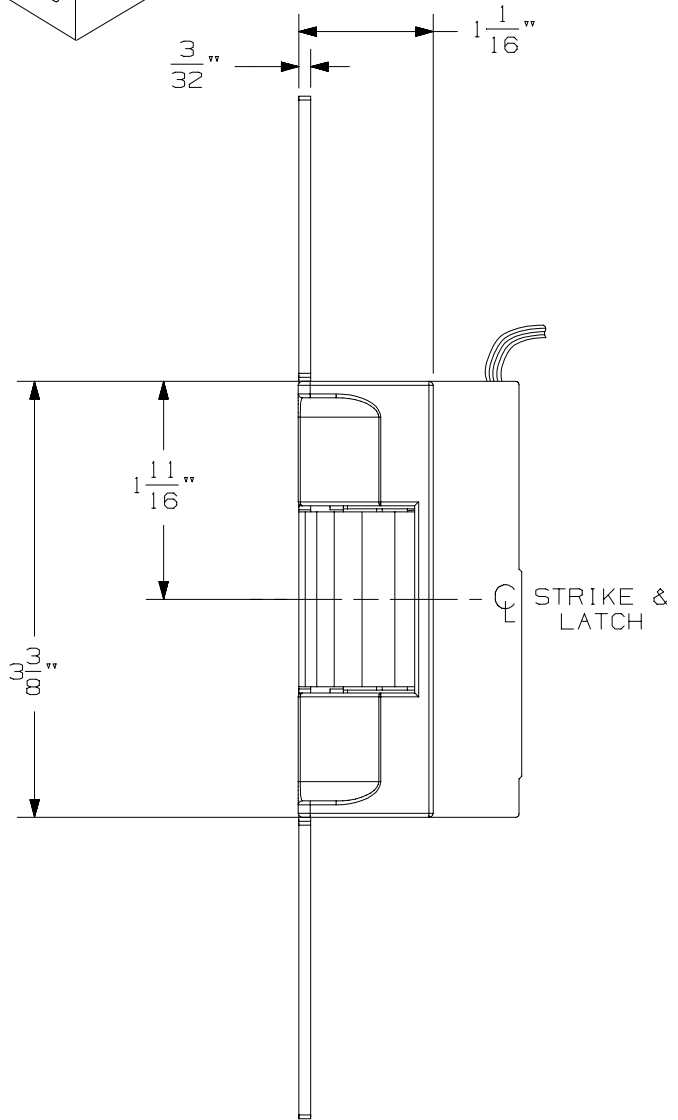
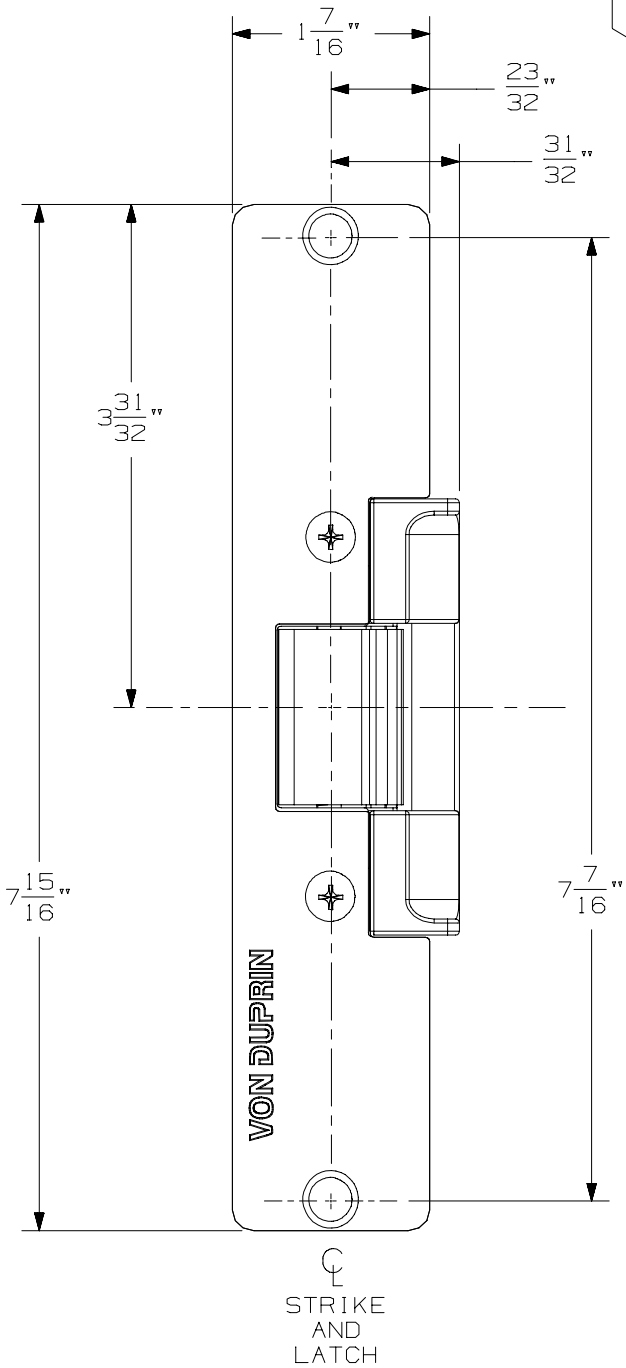
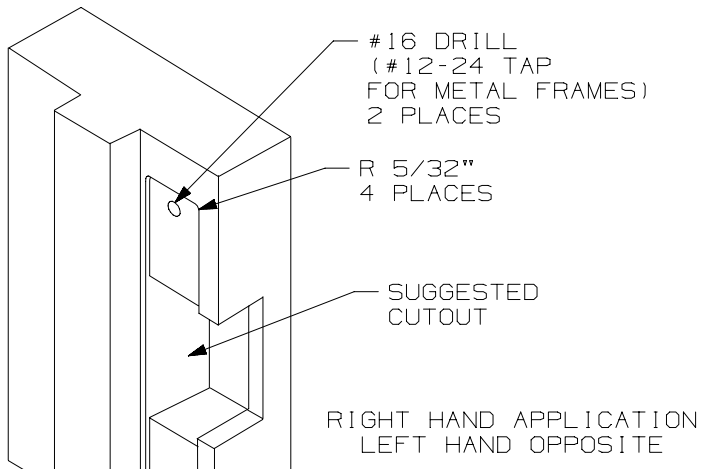
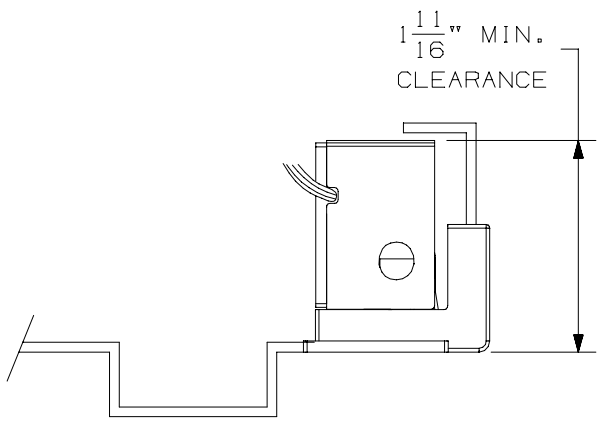
5100 MODEL STRIKE
ALUMINUM FRAME APPLICATION



NOTE:

TEMPLATE
NUMBER: 30214_OSHT2

DATE:
03-06-01



NOTE:
THIS STRIKE FOR USE WITH
5/8" MAX. THROW CYLINDRICAL
LATCHES OR DEAD LATCHES.

5100 MODEL STRIKE
EXTENDED FACEPLATE APPLICATION



NOTE:

TEMPLATE NUMBER: 30214_OSHT3

DATE: 03-06-01