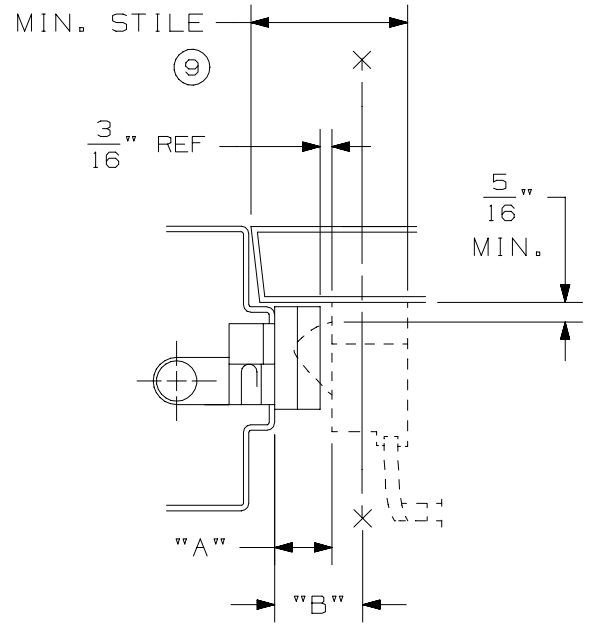
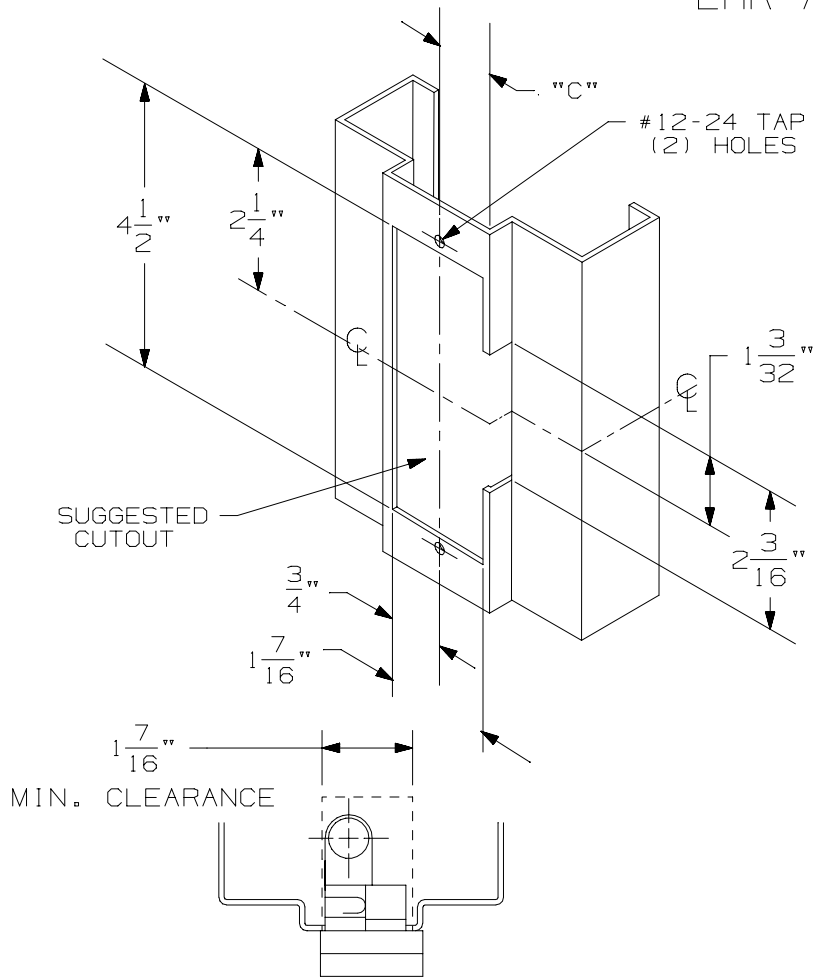
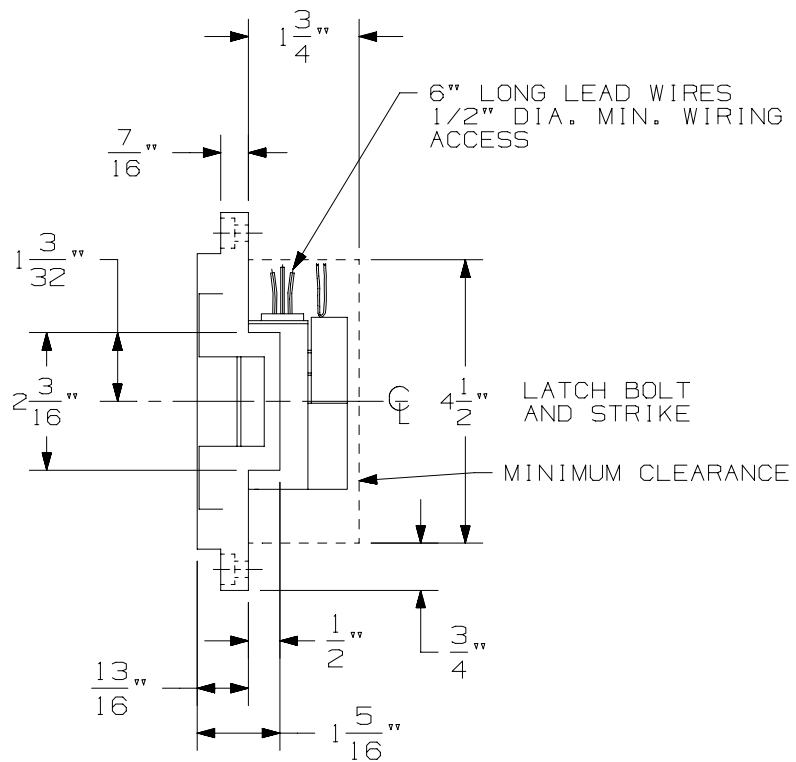
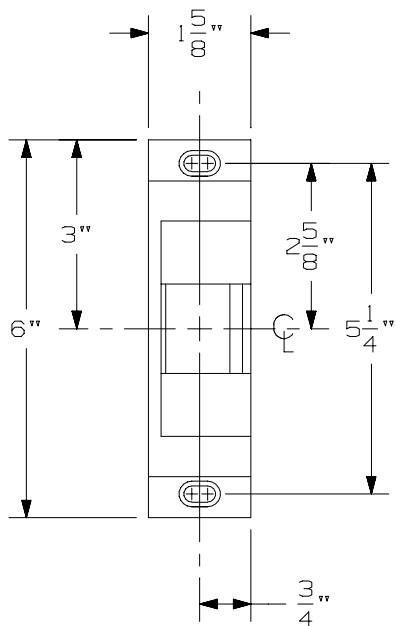


LHR APPLICATION SHOWN
RHR OPPOSITE



LINE X-X CORRESPONDS TO
LINE X-X ON DEVICE TEMPLATE



SEE SHEET #2 FOR
APPLICATION SCHEDULE

REPLACES 3031 STRIKE

6111 ELECTRIC STRIKE
RIM-SINGLE DOOR APPLICATION



NOTE: SEE MASTER SHEET NO. 10001 FOR SUGGESTED REINFORCING

TEMPLATE
NUMBER: 30219_9SHT 1

DATE:
07-26-04

6111 ELECTRIC STRIKE
SINGLE DOOR APPLICATION
RIM APPLICATION SCHEDULE
(PANIC & FIRE DEVICES)

PRODUCT MANUFACTURER	PRODUCT APPLICATION	DIM "A"	DIM "B"	DIM "C"
VON DUPRIN	22 RIM	----	2 7/16"	3/4"
VON DUPRIN	33/35 RIM EO/DT/NL/TP	----	1 13/32"	3/4"
VON DUPRIN	44 RIM EO/DT/NL/TP	----	2 1/2"	3/4"
VON DUPRIN	44 RIM K	----	2 3/8"	3/4"
VON DUPRIN	88 RIM EO/DT/NL/TP	----	2 1/2"	3/4"
VON DUPRIN	88 RIM K	----	2 3/8"	3/4"
VON DUPRIN	98/99 RIM	----	2 7/16"	3/4"
VON DUPRIN	33A/35A RIM	----	1 15/32"	3/4"
MAGNOCHROM	RIM	1 1/16"	----	3/4"
MONARCH	11-R RIM	1"	----	3/4"
MONARCH	XX-R RIM	1 1/16"	----	3/4"
MONARCH *	18-R, F-18-R RIM	1 1/16"	----	7/8"
MONARCH *	19-R, F-19-R RIM	1 1/16"	----	3/4"
PRECISION **	1100 RIM	1"	----	1"
PRECISION	810 RIM	1"	----	3/4"
RUSSWIN	372, 472, 572 RIM	1"	----	3/4"
SARGENT	2800, 6500, 9898 RIM	1 1/16"	----	3/4"
SARGENT **	9800 RIM	1 1/16"	----	3/4"
SARGENT	9500 RIM	1"	----	3/4"
SARGENT	6800, 8500, 8800 RIM	1 1/8"	----	3/4"
YALE	1500 RIM	1"	----	11/16"

NOTES:

- * NO DEADLATCHING
- ** PANIC DEVICES ONLY

REPLACES:

VON DUPRIN 3031 ELECTRIC STRIKE

6111 ELECTRIC STRIKE
RIM-SINGLE DOOR APPLICATION



NOTE: SEE MASTER NO. 10001 FOR SUGGESTED REINFORCING.

TEMPLATE NUMBER:

30219_9SHT2

DATE:

07-26-04