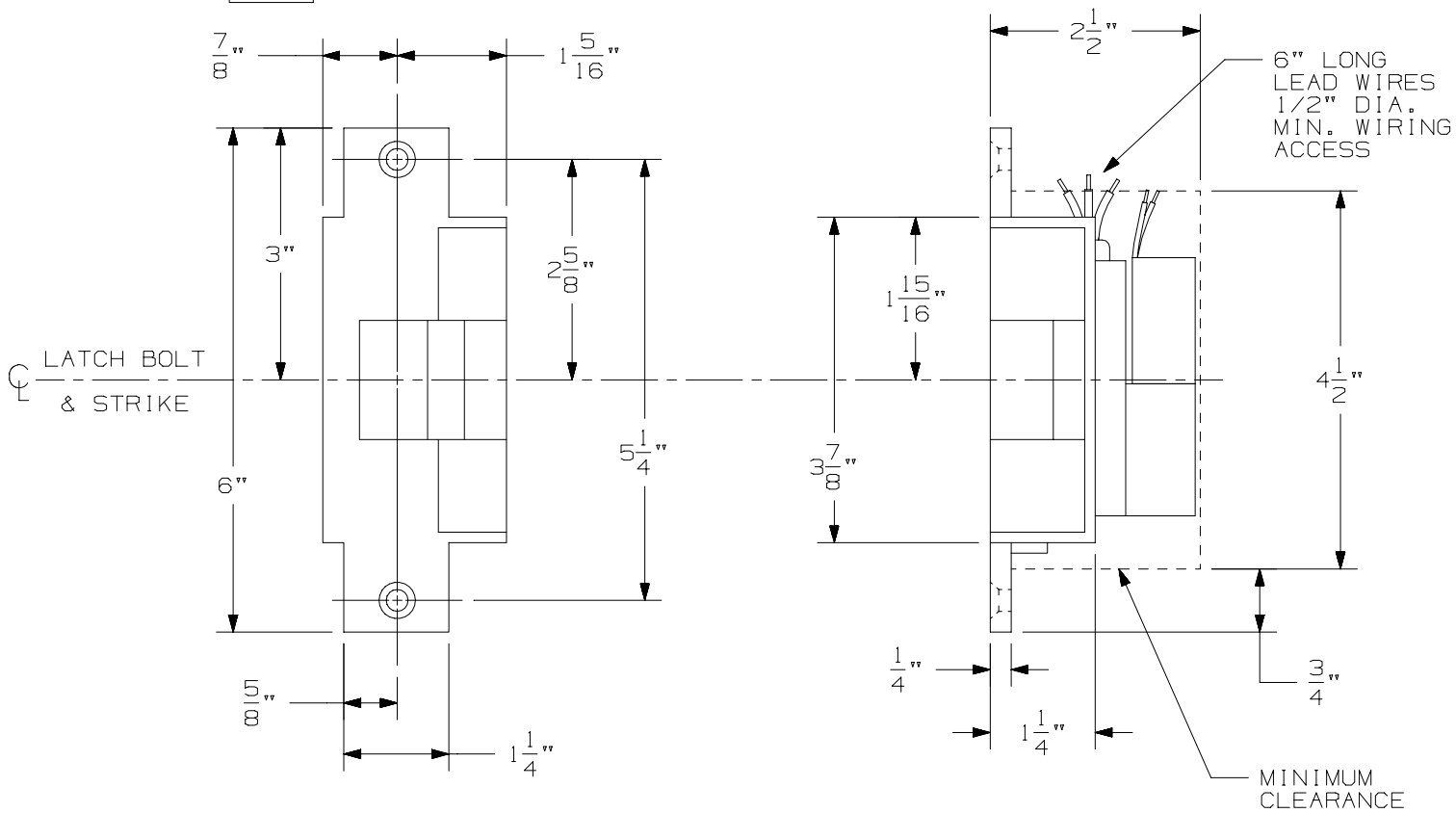
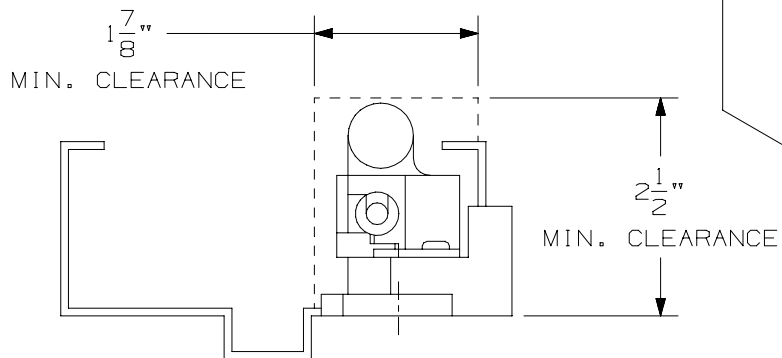
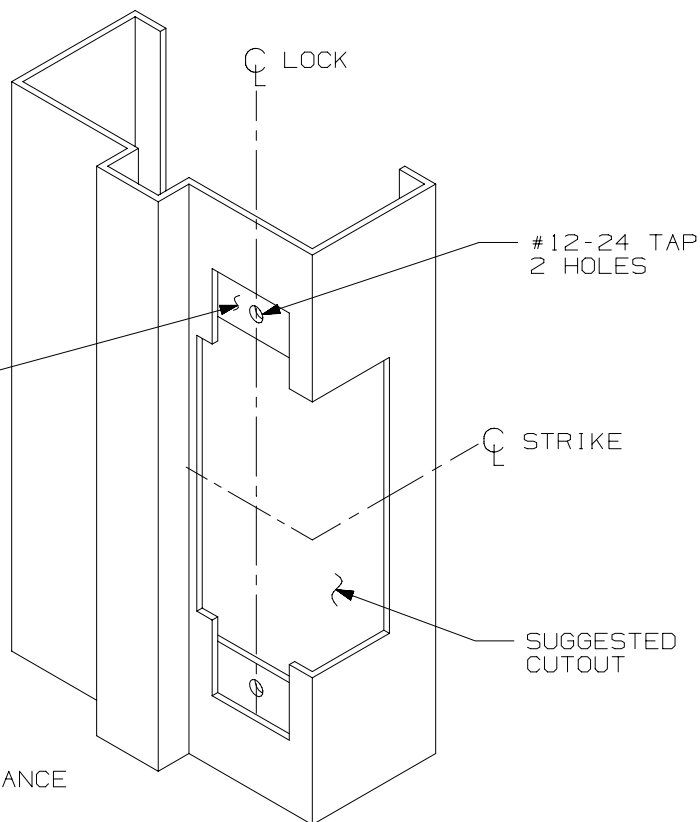


SEE SHEET #2 FOR APPLICATION SCHEDULE

LHR APPLICATION SHOWN
RHR OPPOSITE



REPLACES 3041/42 & 3061/62 STRIKE

6213 ELECTRIC STRIKE
MORT., CYL. SINGLE DOOR APPLICATION

IR VON DUPRIN®

ⓑ

NOTE: SEE MASTER SHEET NO. 10001 FOR SUGGESTED REINFORCING.

TEMPLATE NUMBER: 30223_8SHT 1

DATE: 9-29-98

6213 ELECTRIC STRIKE
SINGLE DOOR APPLICATION
MORTISE/CYLINDRICAL APPLICATION SCHEDULE

PRODUCT MANUFACTURER	PRODUCT APPLICATION	THROW
VON DUPRIN	7500 MORTISE	3/4"
ADAMS RITE	4510	1/2"
ADAMS RITE	4710	5/8"
BALDWIN	6000 MORTISE	3/4"
BEST	24H, 30 SERIES MORTISE	3/4"
CORBIN/RUSSWIN	ML2200 SERIES MORTISE	3/4"
FALCON	M2300, M2500, M2600	3/4"
FALCON	M3300, M3500, M3600	5/8"
MONARCH	18-M MORTISE	3/4"
PRECISION	MORTISE	3/4"
SARGENT	7800/8200 MORTISE	3/4"
SARGENT	6500/8100 MORTISE	3/4"
SARGENT	900 MORTISE LOCK	3/4"
SCHLAGE	L9000 MORTISE	3/4"
YALE	8600 MORTISE	5/8"
YALE	8700 MORTISE	3/4"
BALDWIN	CYLINDRICAL	1/2"-3/4"
BEST	CYLINDRICAL	3/8"-3/4"
CORBIN	CYLINDRICAL	1/2"-3/4"
FALCON	CYLINDRICAL	1/2"-3/4"
RUSSWIN	CYLINDRICAL	1/2"-3/4"
SARGENT	CYLINDRICAL	1/2"-3/4"
SCHLAGE	CYLINDRICAL	3/8"-3/4"
YALE	CYLINDRICAL	1/2"-3/4"

NOTES:

1. DEADLATCH NOT GUARANTEED ON CYLINDRICAL APPLICATIONS.
2. MONITORING COULD BE AFFECTED BY DOOR/FRAME PREPARATION.
3. SIGNAL TRIPPER FUNCTION WITH 3/8" THROW BOLTS IS NOT RECOMMENDED.
4. NO DEADBOLT ACTION AVAILABLE FOR MORTISE APPLICATIONS.

REPLACES:

VON DUPRIN 3041/3042 & 3061/3062 ELECTRIC STRIKE

6213 ELECTRIC STRIKE
MORT/CYL SINGLE DOOR APPLICATION



NOTE: SEE MASTER SHEET NO. 10001 FOR SUGGESTED REINFORCING.

TEMPLATE NUMBER: 30223_8SHT2

DATE: 9-29-98