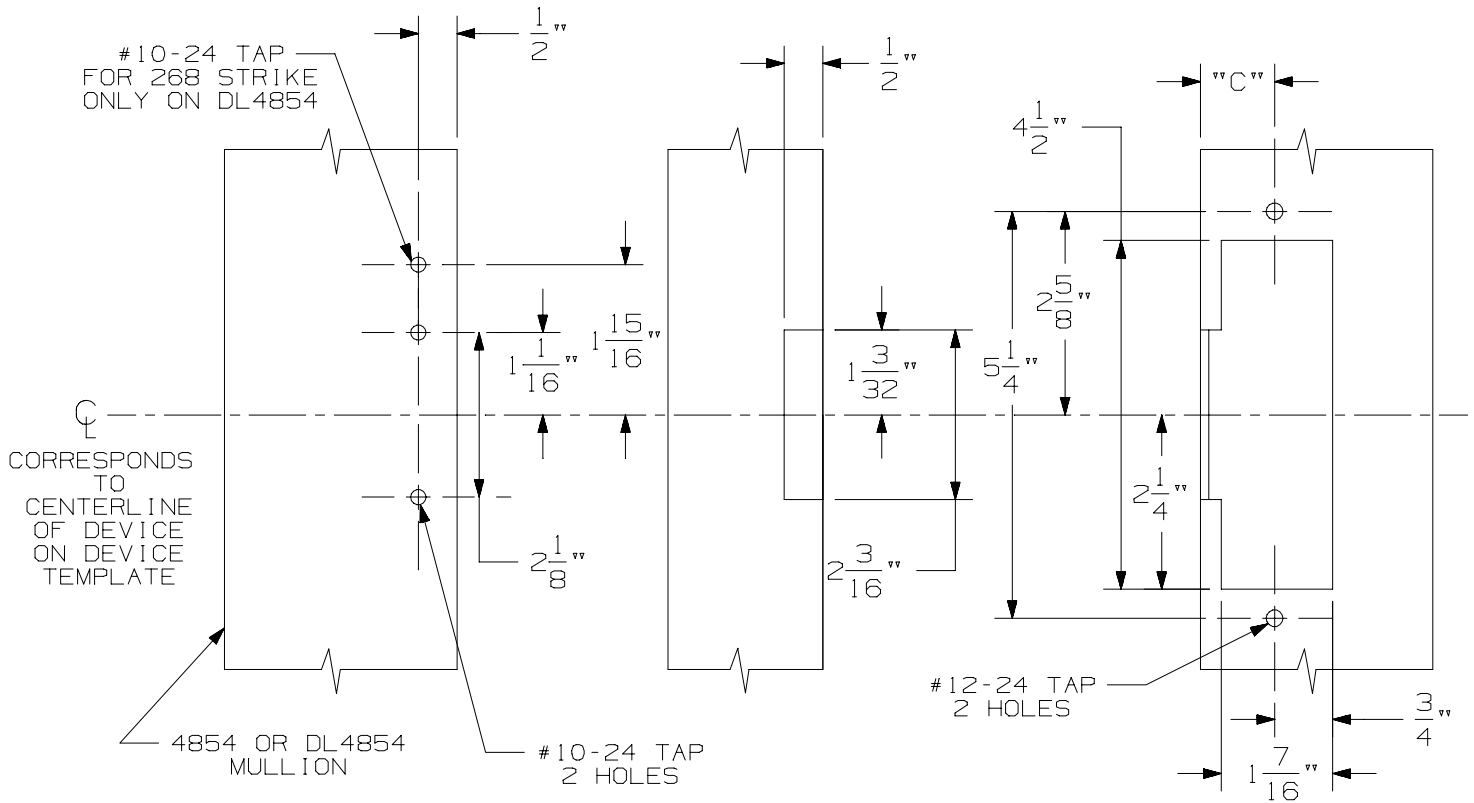
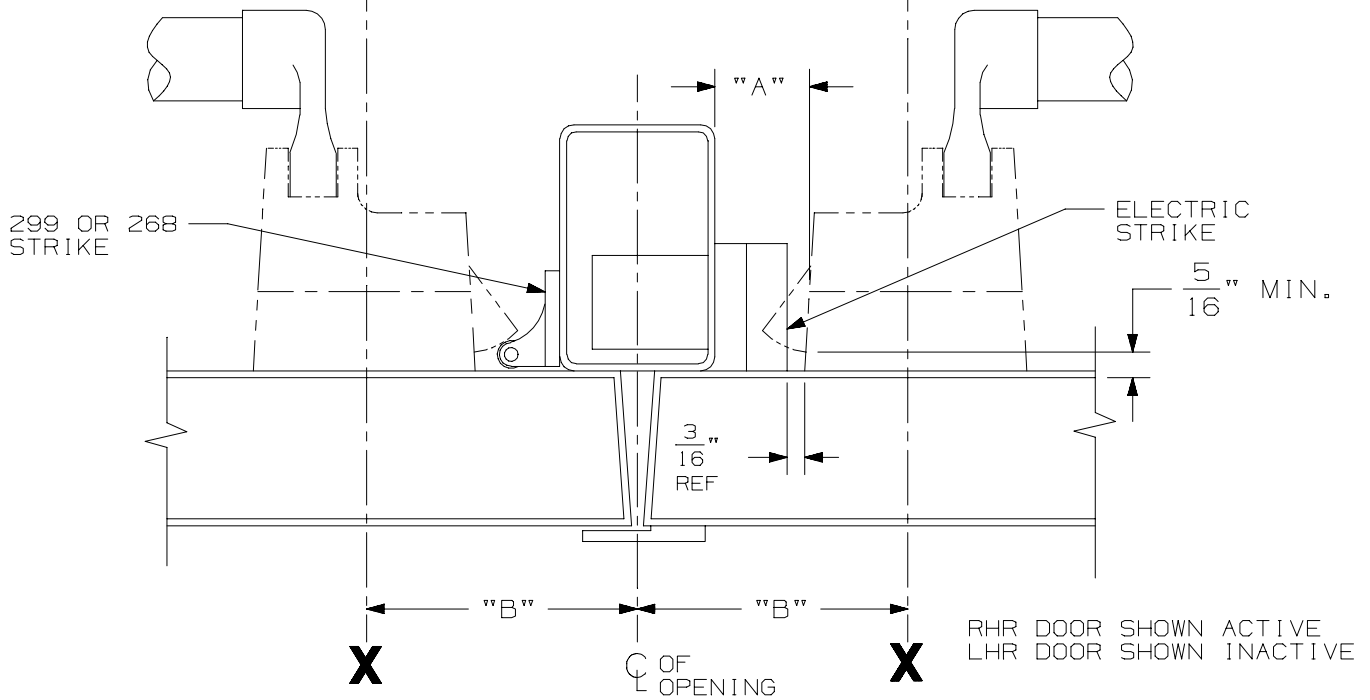


X LINE X-X CORRESPONDS TO
LINE X-X ON DEVICE TEMPLATE **X**



6111 ELECTRIC STRIKE
DOUBLE DOOR APPLICATION
USING 4854 MULLION



NOTE: SEE MASTER SHEET NO. 10001 FOR SUGGESTED REINFORCING

TEMPLATE NUMBER: 30226_8SHT 1

DATE: 07-15-03

6111 ELECTRIC STRIKE
DOUBLE DOOR APPLICATION W/MULLION
RIM APPLICATION SCHEDULE
(PANIC & FIRE DEVICES)

PRODUCT MANUFACTURER	PRODUCT APPLICATION	DIM "A"	DIM "B"	DIM "C"
VON DUPRIN	22 RIM	-----	3 7/16"	3/4"
VON DUPRIN	33/35 RIM EO/DT/NL/TP	-----	2 13/32"	3/4"
VON DUPRIN	44 RIM EO/DT/NL/TP	-----	3 1/2"	3/4"
VON DUPRIN	44 RIM K	-----	3 3/8"	3/4"
VON DUPRIN	88 RIM EO/DT/NL/TP	-----	3 1/2"	3/4"
VON DUPRIN	88 RIM K	-----	3 3/8"	3/4"
VON DUPRIN	98/99 RIM	-----	3 7/16"	3/4"
VON DUPRIN	33A/35A RIM	-----	2 15/32"	3/4"
⑧				
MAGNOCHROM	RIM	1 1/16"	-----	3/4"
MONARCH	11-R RIM	1"	-----	3/4"
MONARCH	XX-R RIM	1 1/16"	-----	3/4"
MONARCH *	18-R,F-18-R RIM	1 1/16"	-----	7/8"
MONARCH *	19-R,F-19-R RIM	1 1/16"	-----	3/4"
PRECISION	1100 RIM	1"	-----	1"
PRECISION	810 RIM	1"	-----	3/4"
RUSSWIN	372,472,572 RIM	1"	-----	3/4"
SARGENT	2800,6500,9898	1 1/16"	-----	3/4"
SARGENT **	9800 RIM	1 1/16"	-----	3/4"
SARGENT	9500 RIM	1"	-----	3/4"
SARGENT	6800,8500,8800 RIM	1 1/8"	-----	3/4"
YALE	1500 RIM	1"	-----	1 1/16"
⑧				

NOTES:

1. TEMPLATE DIMENSIONS GIVEN ARE FOR BLANK MULLION PREP.
 2. DIMENSION "C" PROVIDED ON VON DUPRIN MULLIONS IS 3/4".
- * NO DEADLATCHING
** PANIC DEVICES ONLY.

REPLACES:

VON DUPRIN 3031 ELECTRIC STRIKE

6111 ELECTRIC STRIKE
DOUBLE DOOR APPLICATION
USING 4854 MULLION



NOTE: SEE MASTER NO. 10001 FOR SUGGESTED REINFORCING.

TEMPLATE NUMBER:

30226_8SHT2

DATE:

07-15-03