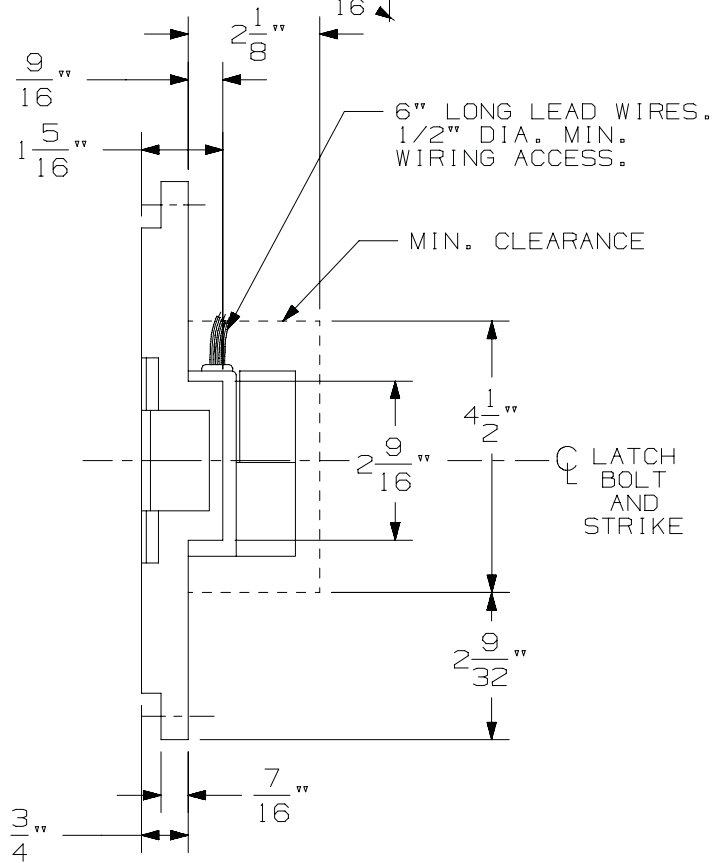
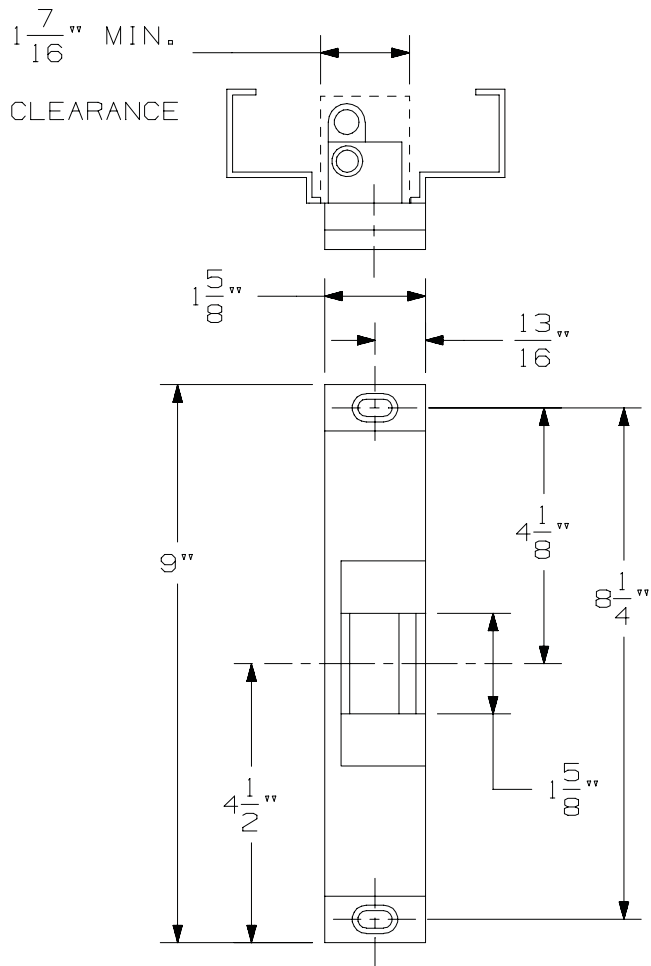
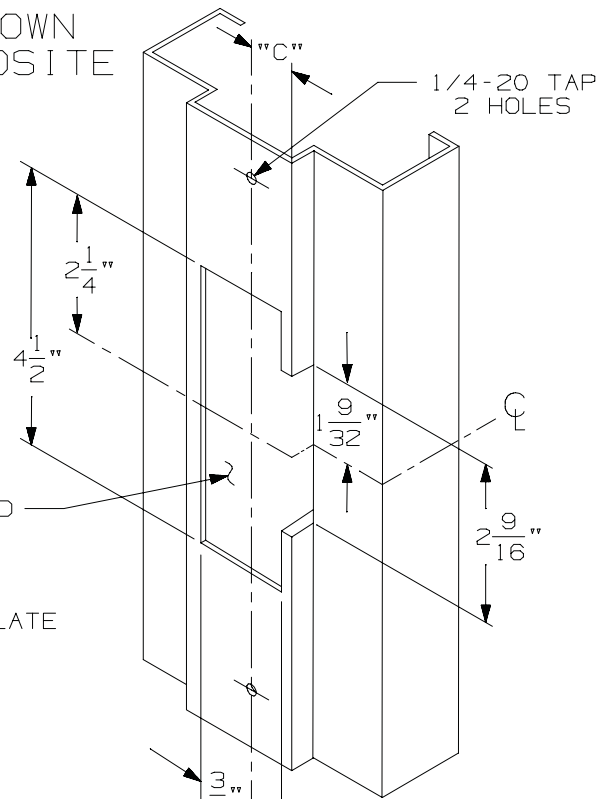
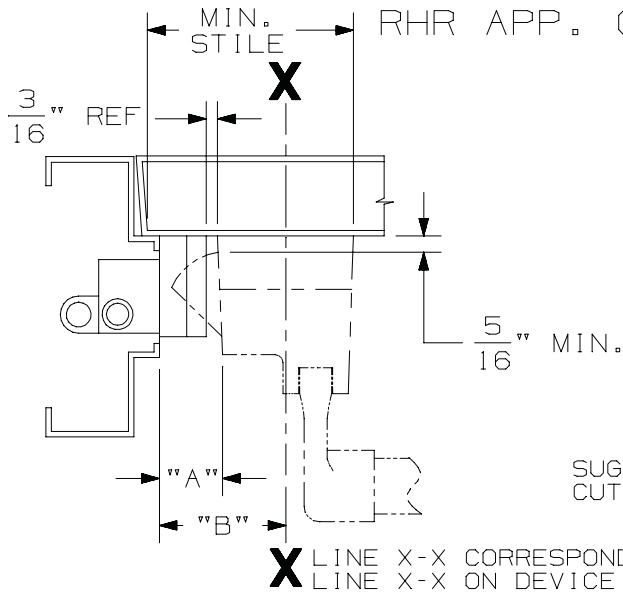


LHR APP. SHOWN
RHR APP. OPPOSITE



NOTE: 1. ACTUAL STRIKE DIMENSIONS SHOWN.

6112 ELECTRIC STRIKE
RIM-SINGLE DOOR APPLICATION



NOTE:

TEMPLATE NUMBER: 30232_B SHT1

DATE: 01-18-10

6112 ELECTRIC STRIKE
SINGLE DOOR APPLICATION
RIM APPLICATION SCHEDULE
(PANIC & FIRE DEVICES)

PRODUCT MANUFACTURER	PRODUCT APPLICATION	DIM "A"	DIM "B"	DIM "C"
VON DUPRIN	22 RIM	-----	2 7/16"	13/16"
VON DUPRIN	33/35 RIM EO/DT/NL/TP	-----	1 13/32"	13/16"
VON DUPRIN	44 RIM EO/DT/NL/TP	-----	2 1/2"	13/16"
VON DUPRIN	44 RIM K	-----	2 3/8"	13/16"
VON DUPRIN	88 RIM EO/DT/NL/TP	-----	2 1/2"	13/16"
VON DUPRIN	88 RIM K	-----	2 3/8"	13/16"
VON DUPRIN	98/99/900 RIM	-----	2 7/16"	13/16"
VON DUPRIN	33A/35A RIM	-----	1 15/32"	13/16"
MAGNOCHROM	RIM	1 1/16"	-----	13/16"
MONARCH	11-R RIM	1"	-----	13/16"
MONARCH	XX-R RIM	1 1/16"	-----	13/16"
MONARCH *	18-R, F-18-R	1"	-----	15/16"
MONARCH *	19-R, F-19-R	1"	-----	13/16"
PRECISION	1100 RIM	1"	-----	1 1/16"
PRECISION	810 RIM	1"	-----	13/16"
RUSSWIN	372, 472, 572 RIM	1"	-----	13/16"
SARGENT	2800, 6500, 9898	1 1/16"	-----	13/16"
SARGENT **	9800 RIM	1 1/16"	-----	13/16"
SARGENT	9500 RIM	1"	-----	13/16"
SARGENT	6800, 8500, 8800 RIM	1 1/16"	-----	15/16"
YALE	1500 RIM	1"	-----	3/4"
(B) FALCON	25 RIM	-----	2 3/16"	13/16"

NOTES:

- * NO DEADLATCHING
- ** PANIC DEVICES ONLY.

REPLACES:

FOLGER ADAM 310-4

6112 ELECTRIC STRIKE
RIM-SINGLE DOOR APPLICATION



NOTE: SEE MASTER NO. 10001 FOR SUGGESTED REINFORCING.

TEMPLATE NUMBER:

30232_B SHT2

DATE:
01-18-10