

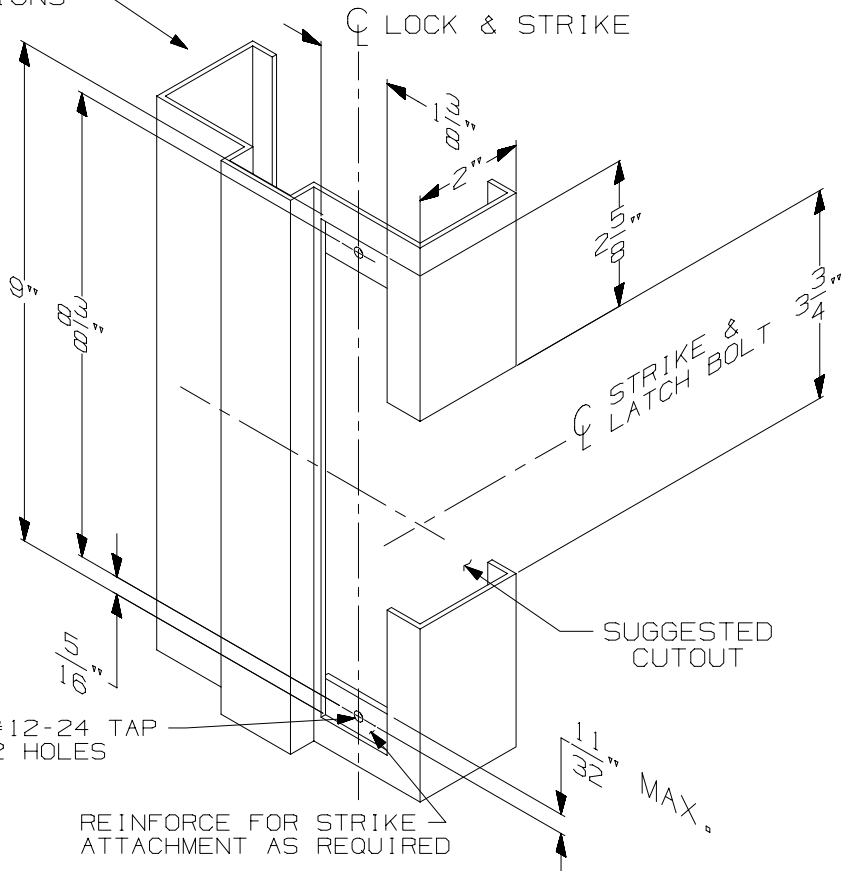
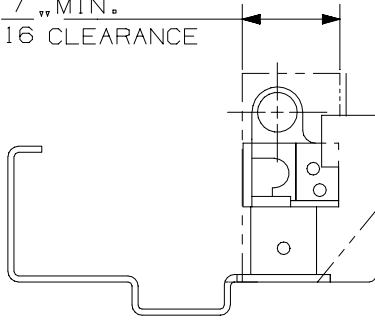
CUTOUT DIMENSIONS SHOWN

LHR APPLICATION SHOWN
RHR APPLICATION OPPOSITE

NOTE:

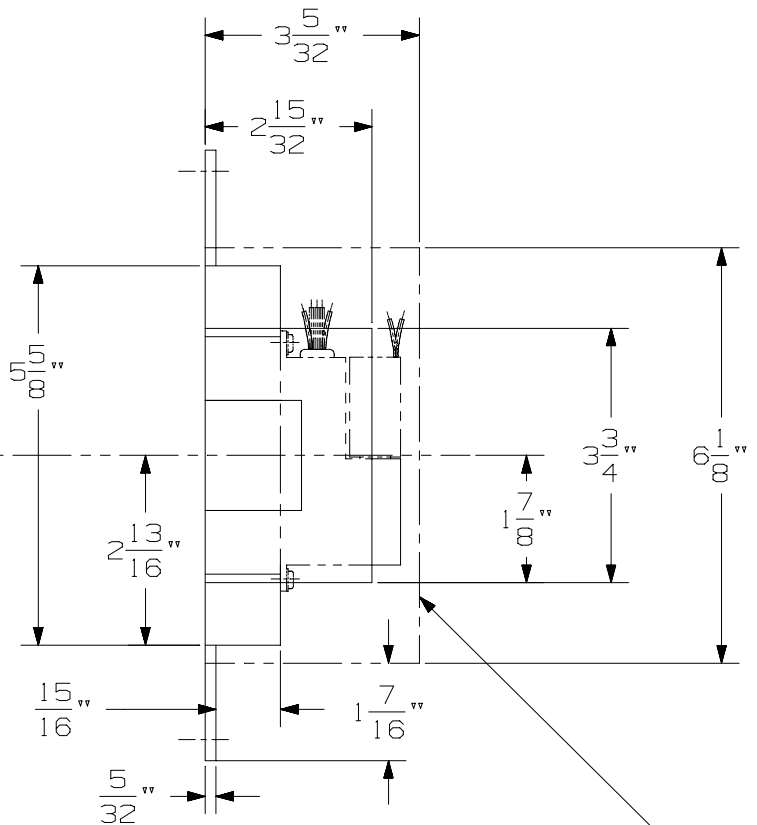
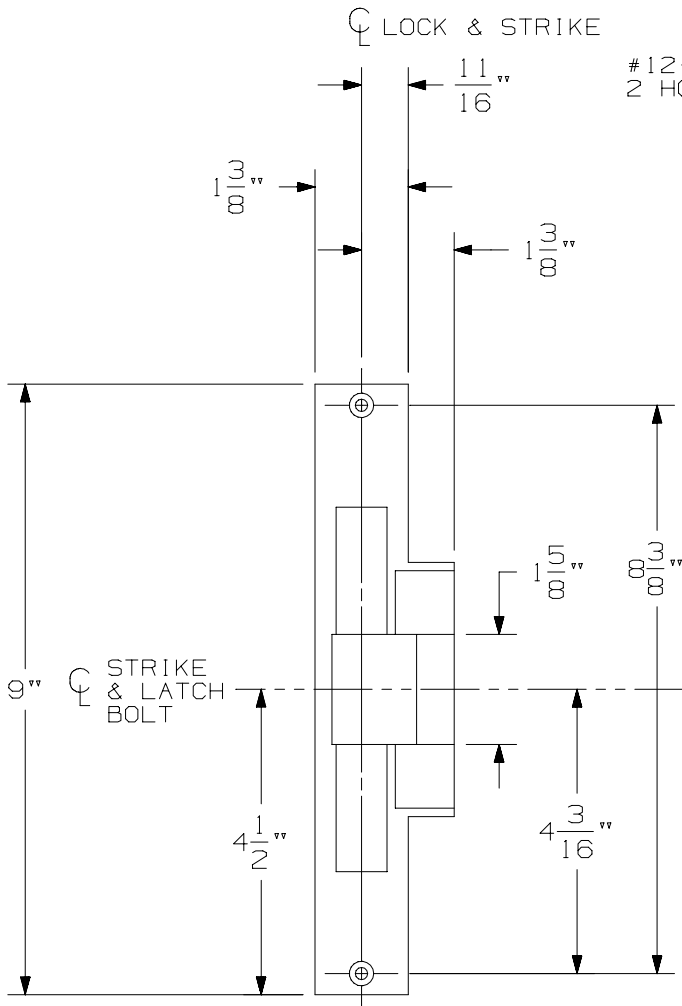
ACTUAL STRIKE
DIMENSIONS SHOWN

$1\frac{7}{16}$ MIN.
CLEARANCE



#12-24 TAP
2 HOLES

REINFORCE FOR STRIKE
ATTACHMENT AS REQUIRED



NOTE: ACCEPTS MORTISE LOCK W/1" MAX. DEADBOLT

MIN. CLEARANCE

6216 ELECTRIC STRIKE



①

NOTE: SEE MASTER SHEET NO. 10001 FOR SUGGESTED REINFORCING.

TEMPLATE
NUMBER:

30235_1

DATE:
10-2-98