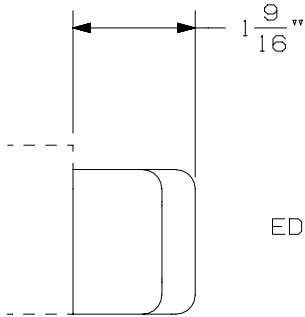
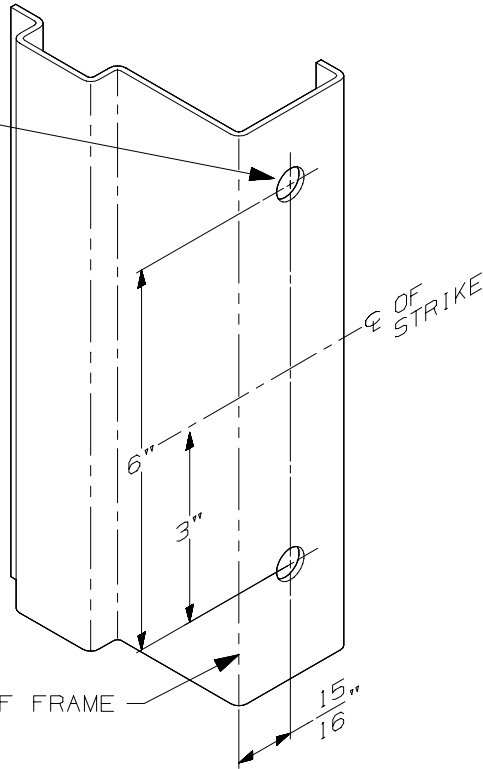


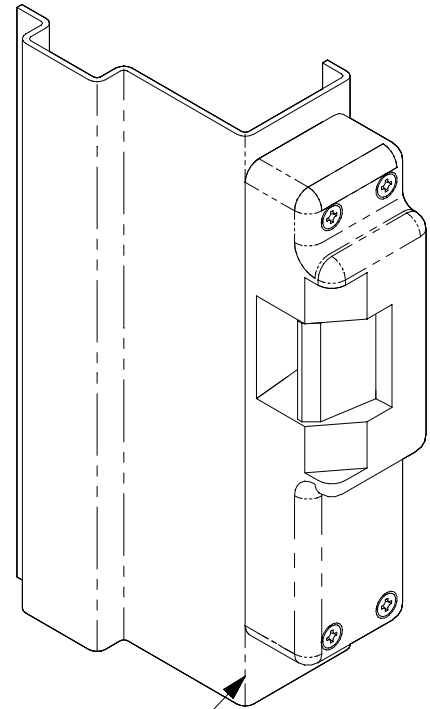
1/2" DIA. HOLE
FOR WIRING ACCESS
2 PLACES



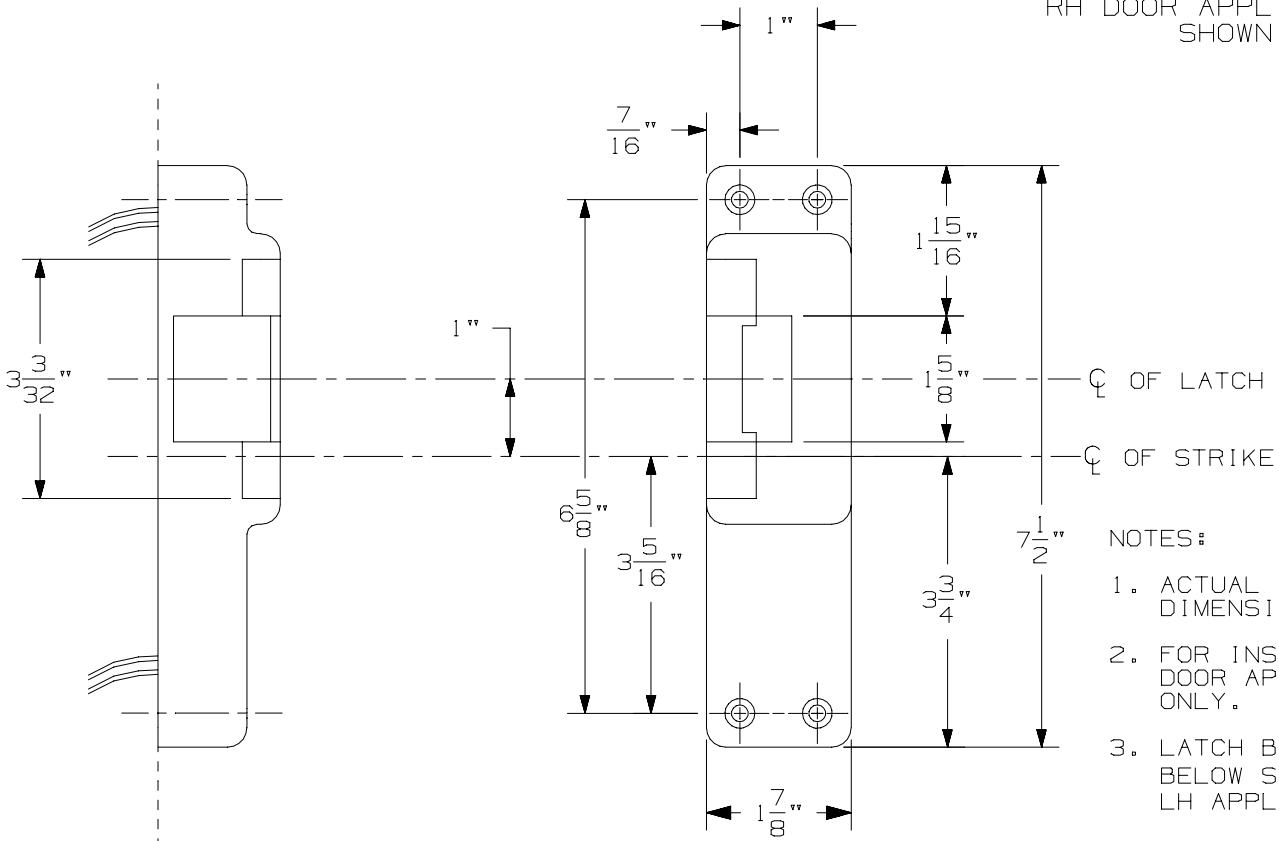
EDGE OF FRAME



EDGE OF FRAME



RH DOOR APPLICATION
SHOWN



NOTES:

1. ACTUAL STRIKE DIMENSION SHOWN.
2. FOR INSWINGING DOOR APPLICATION ONLY.
3. LATCH BOLT IS BELOW STRIKE C FOR LH APPLICATIONS.

6114 ELECTRIC STRIKE
FOR NIGHT LATCH APPLICATION



NOTE: SEE MASTER SHEET NO. 10001 FOR SUGGESTED REINFORCING

TEMPLATE
NUMBER:

30243_2

DATE:
10-7-93