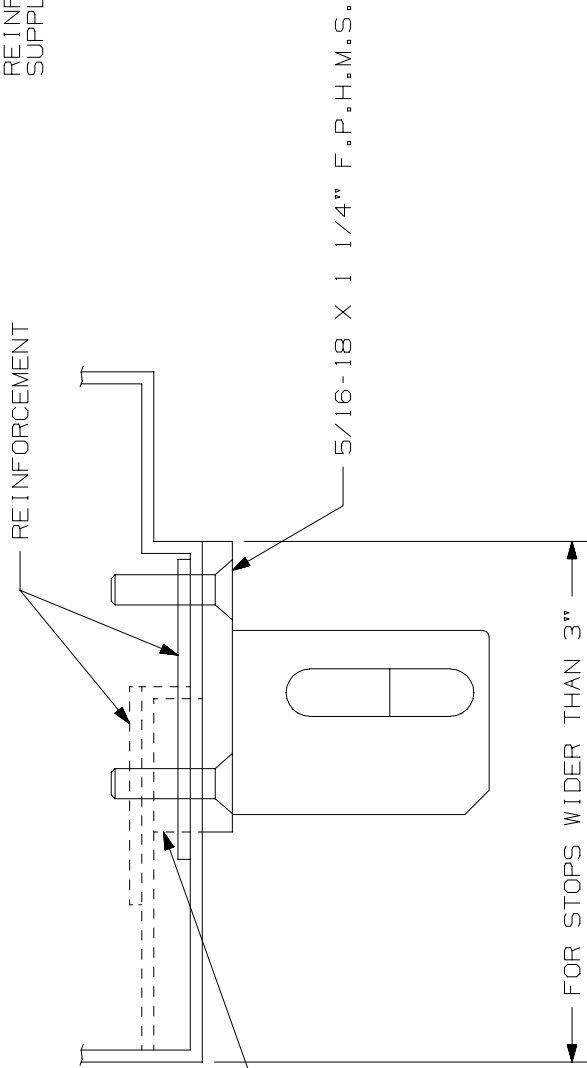
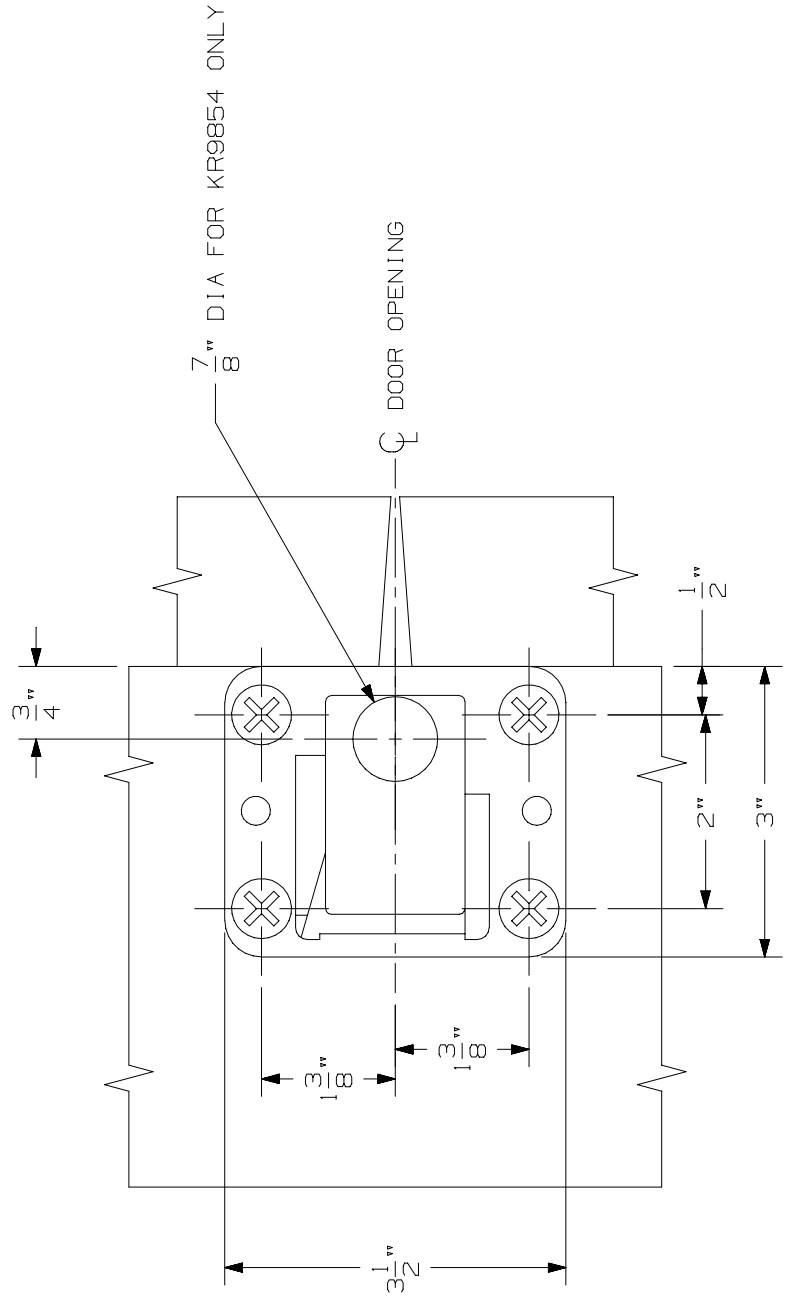


NOTE: SHEET METAL FRAME REINFORCEMENT IS TO BE SUPPLIED BY FRAME MFR.



IF STOP IS LESS THAN 3" WIDE, A FILLER BLOCK MUST BE PROVIDED BY OTHERS.

FOR STOPS WIDER THAN 3"



KR9854 & KR9954 MULLION

**IR VON DUPRIN**®

①

NOTES: SEE MASTER SHEET NO. 10001 FOR SUGGESTED REINFORCING.

TEMPLATE NUMBER:

40037\_1

DATE:  
4-1-98