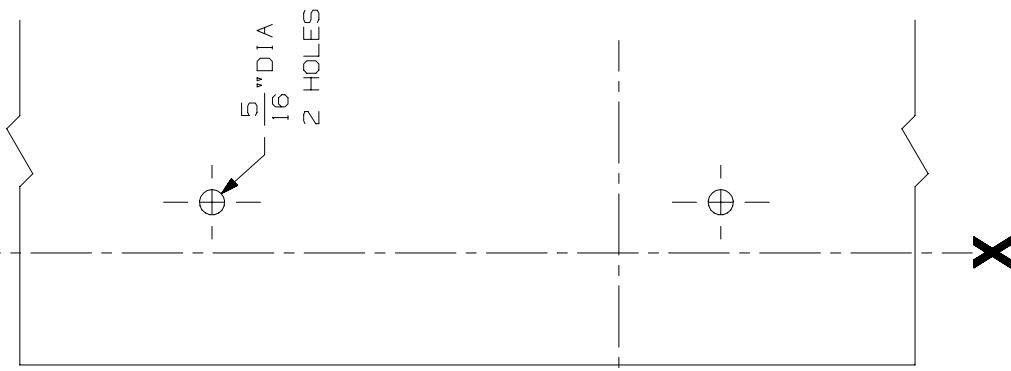


LINE X-X CORRESPONDS TO
LINE X-X ON DEVICE TEMPLATE

X

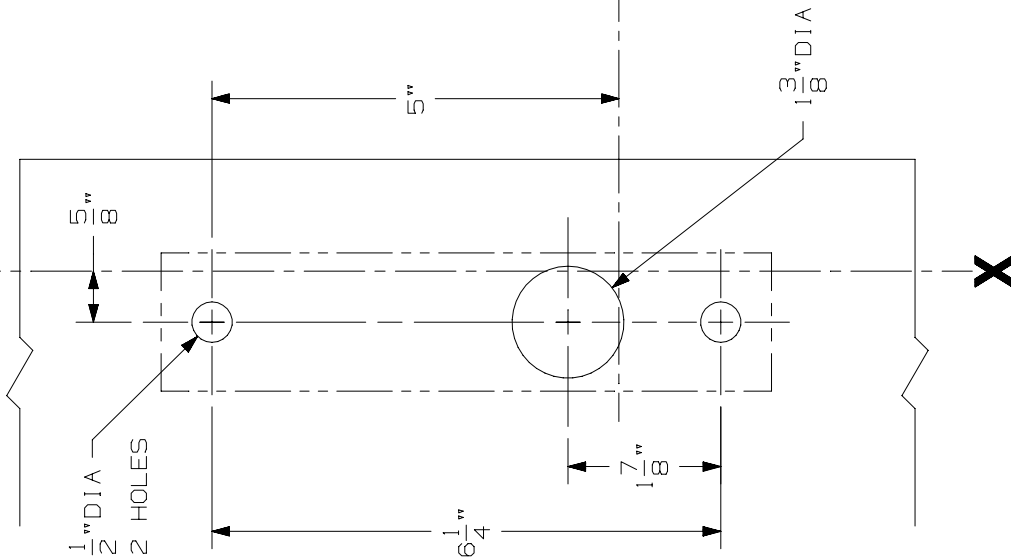


INSIDE
FACE OF
LOCK STILE



CORRESPONDS TO CENTER
LINE OF
DEVICE ON
DEVICE TEMPLATE

X



OUTSIDE
FACE OF
LOCK STILE

DEVICE APPLICATION SCHEDULE	FOR CUTOUT ON INSIDE FACE OF DOOR SEE DEVICE TEMPLATE
5547-F VERTICAL ROD DEVICE	

371-L-BE CONTROL

IR VON DUPRIN®

③

NOTES: SEE MASTER SHEET NO. 10001 FOR SUGGESTED REINFORCING.

TEMPLATE
NUMBER:

40101_3

DATE:
2-25-98