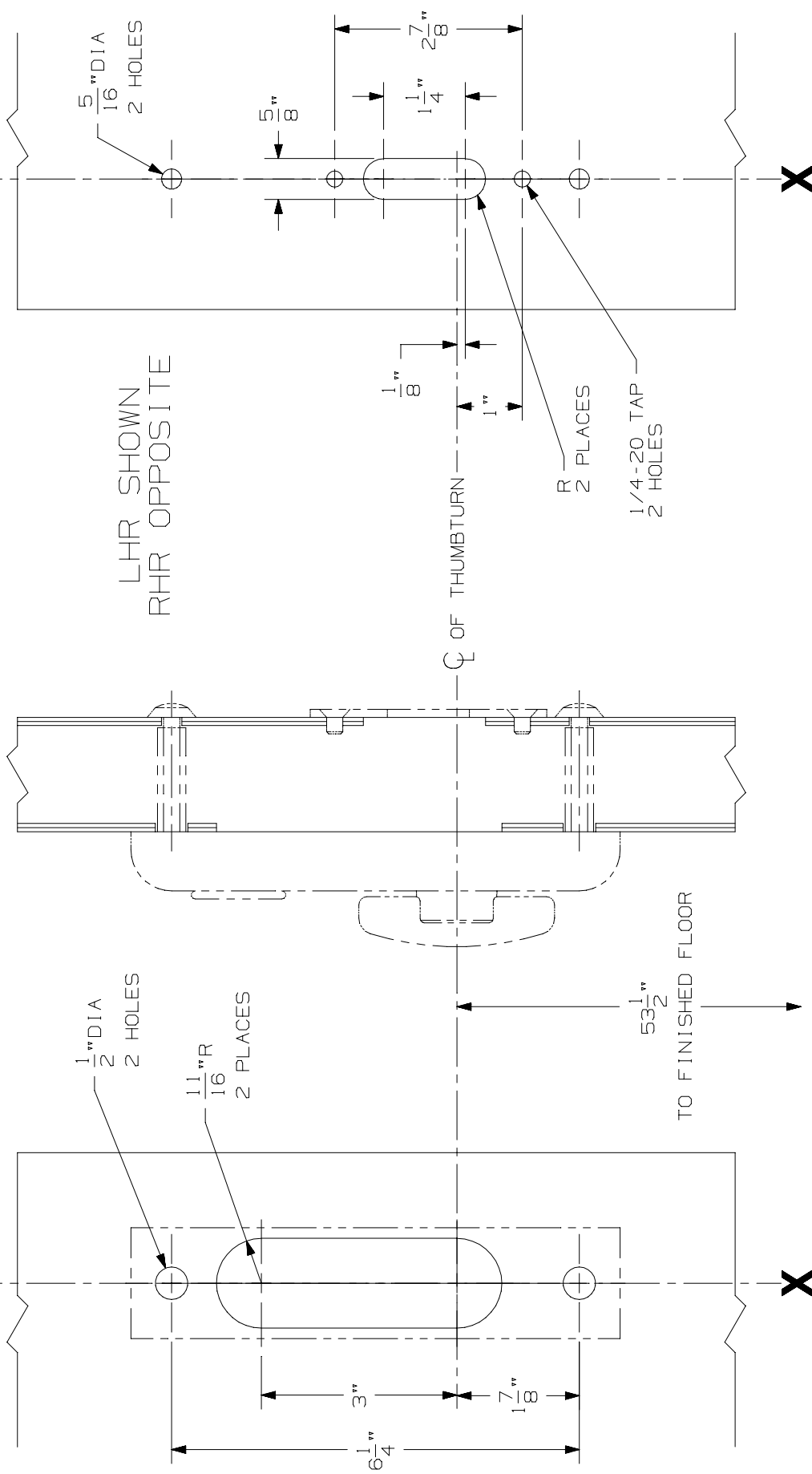


LINE X-X CORRESPONDS TO
LINE X-X ON DEVICE TEMPLATE

X



LHR SHOWN
RHR OPPOSITE

CL OF THUMBTURN

R 2 PLACES

1/4-20 TAP
2 HOLES

TO FINISHED FLOOR

INSIDE
FACE OF
LOCK STILE

②

DEVICE APPLICATION SCHEDULE
8827-F VERT. ROD DEVICE
8827 VERT. ROD DEVICE

OUTSIDE
FACE OF
LOCK STILE

377-T CONTROL

IR VON DUPRIN®

②

NOTES: SEE MASTER SHEET NO. 10001 FOR SUGGESTED REINFORCING.

TEMPLATE NUMBER: 40116_2

DATE: 2-26-98