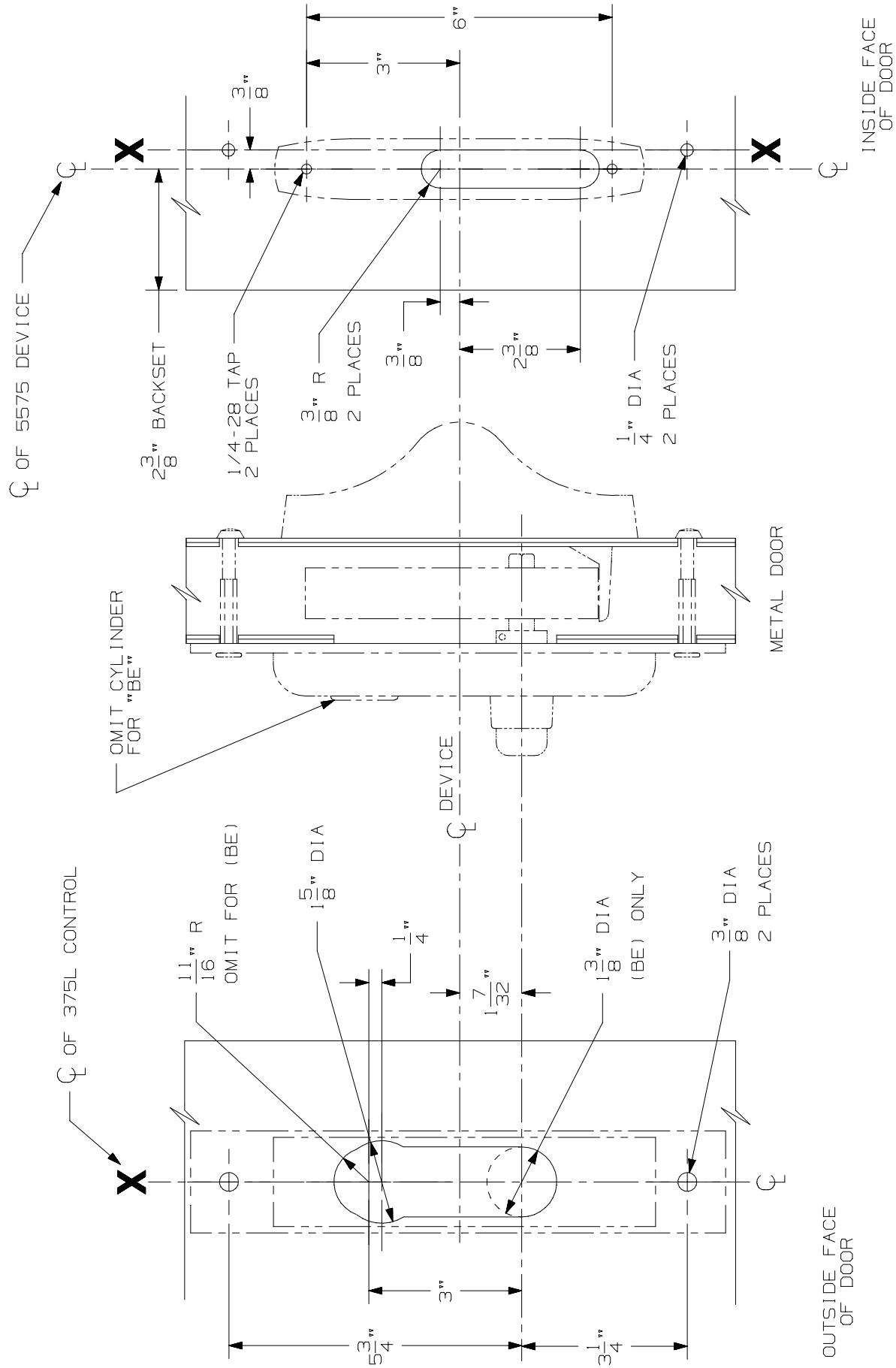


FOR INSTALLATION OF DEVICE/LOCK SEE DIRECTION 11068



LHR SHOWN
RHR OPPOSITE

375-L & 375-L-BE CONTROL
FOR 5575 & 5575-F

IR VON DUPRIN®

4

NOTES: SEE MASTER SHEET NO. 10001 FOR SUGGESTED REINFORCING.

TEMPLATE NUMBER:

40127_4

DATE:
2-27-98