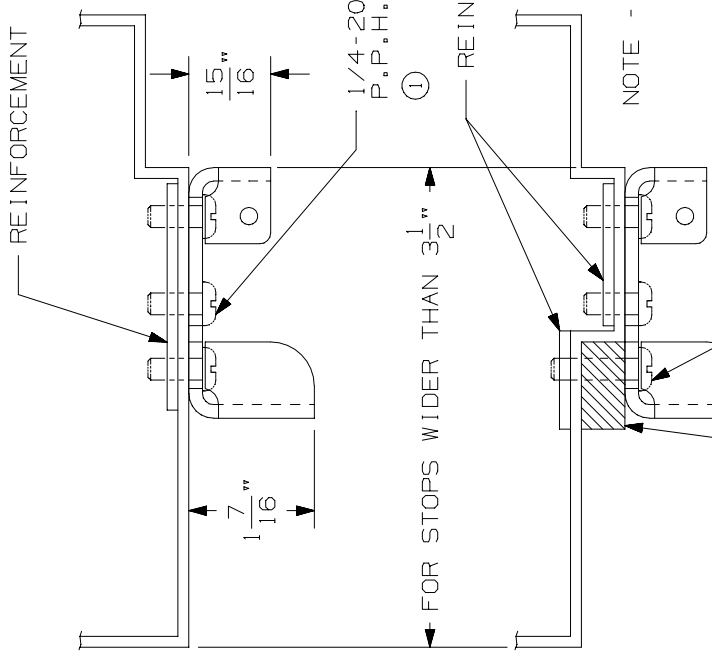


① 1/4-20 X 5/8" P.P.H.M.S.

TOP ANCHOR

NOTE - REINFORCEMENT FOR ALL SHEET METAL FRAMES IS TO BE SUPPLIED BY FRAME MFR.



REINFORCEMENT

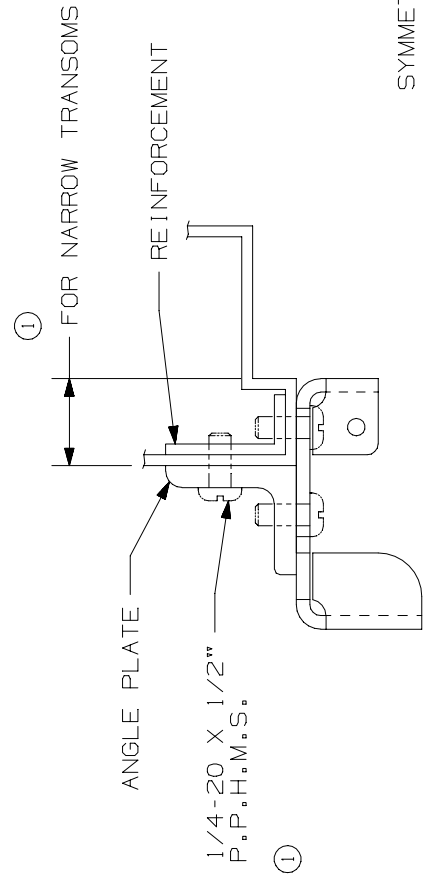
① 1/4-20 X 5/8" P.P.H.M.S.

REINFORCEMENT

FOR STOPS WIDER THAN 3 1/2"

FILLER BLOCK IS TO BE SUPPLIED BY THE FRAME MFR. FOR CONDITIONS SIMILAR TO THIS.

THE USE OF THIS SCREW IS OPTIONAL DEPENDING ON FRAME CONDITIONS.



①

FOR NARROW TRANSOMS

ANGLE PLATE

REINFORCEMENT

① 1/4-20 X 1/2" P.P.H.M.S.

SYMMETRICAL ABOUT C

ADJ. ANGLE PLATE

FRAME PREPARATION  
1654 & 4954 REMOVABLE MULLIONS



NOTES: SEE MASTER SHEET NO. 10001 FOR SUGGESTED REINFORCING.

TEMPLATE NUMBER: 40030\_1

DATE: 3-18-98

①