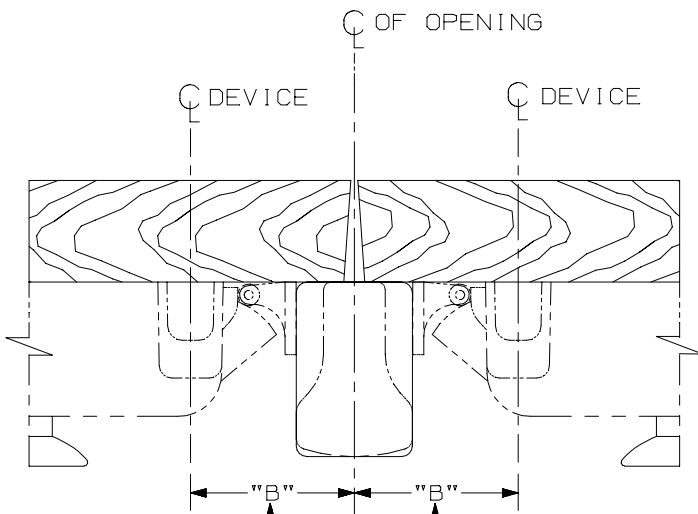


5/8" DEEP POCKET

SINGLE DOOR INSTALLATION		
STRIKE	DIMENSION "B"	RECOMMENDED MIN. STILE* ①
299	1 21/32"	2 7/8"
1439	27/32"	2"
1410	27/32"	2"

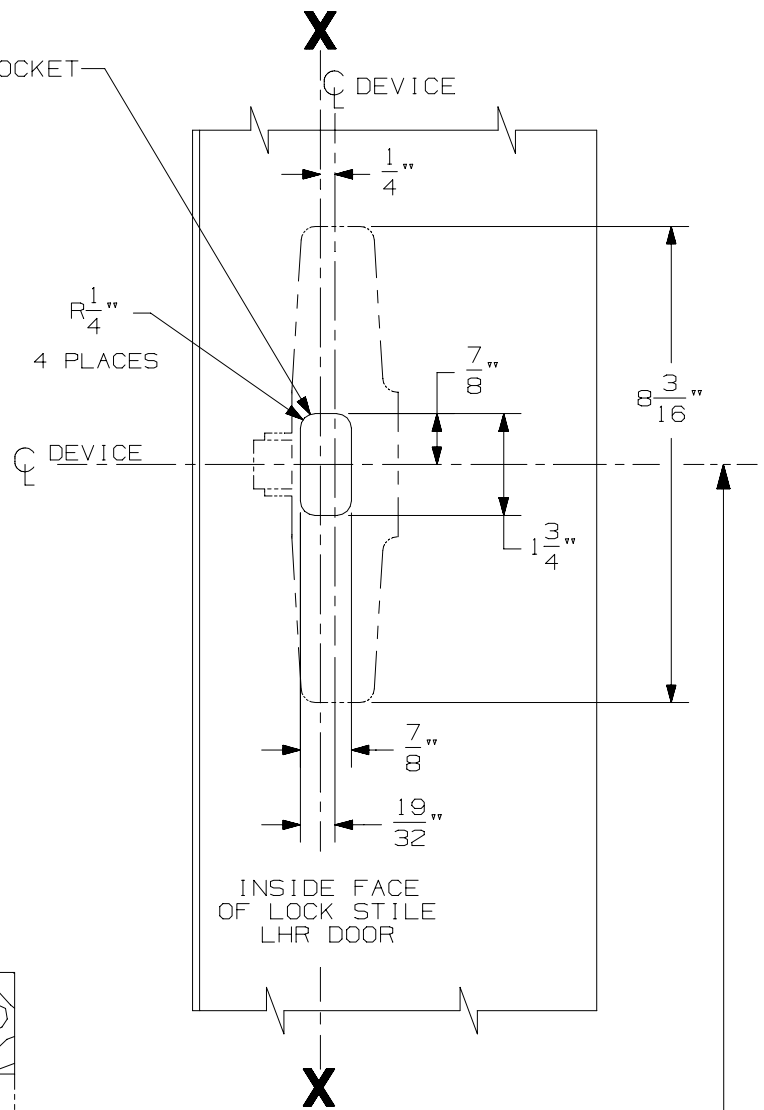
USE OF OUTSIDE TRIM MAY ALTER MINIMUM STILE REQUIREMENT. SEE TRIM TEMPLATE.



DOUBLE DOOR INSTALLATION WITH VON DUPRIN MULLIONS ①			
MULLION	STRIKE	DIMENSION "B"	RECOMMENDED MIN. STILE*
4954	299	2 21/32"	3 3/8"
1654	1606	2 7/32"	2 15/16"
5654	299	2 3/16"	2 15/16"
5754	1408	1 3/8"	2"

USE OF OUTSIDE TRIM MAY ALTER MINIMUM STILE REQUIREMENT. SEE TRIM TEMPLATE.

FOR OUTSIDE TRIM PREPARATION, WHEN REQUIRED, SEE ADDITIONAL TRIM TEMPLATE.



SINGLE DOOR OPENING 39 13/16" TO FINISHED FLOOR.

DOUBLE DOOR OPENING WITH VON DUPRIN MULLION 39 11/16" TO FINISHED FLOOR

LHR SHOWN  
RHR OPPOSITE

GLASS BEAD KIT AVAILABLE WHEN REQUIRED.

① \* CONSULT FACTORY FOR STILE WIDTHS LESS THAN MIN. RECOMMENDED TO ENSURE PROPER APPLICATION

NOTE: MOUNTING HOLES TO BE PREPARED AT INSTALLATION ON DOOR.

33A/35A SERIES RIM DEVICES (WOOD DOOR)



NOTE:

TEMPLATE NUMBER:

W10048\_1

DATE:

02-06-04