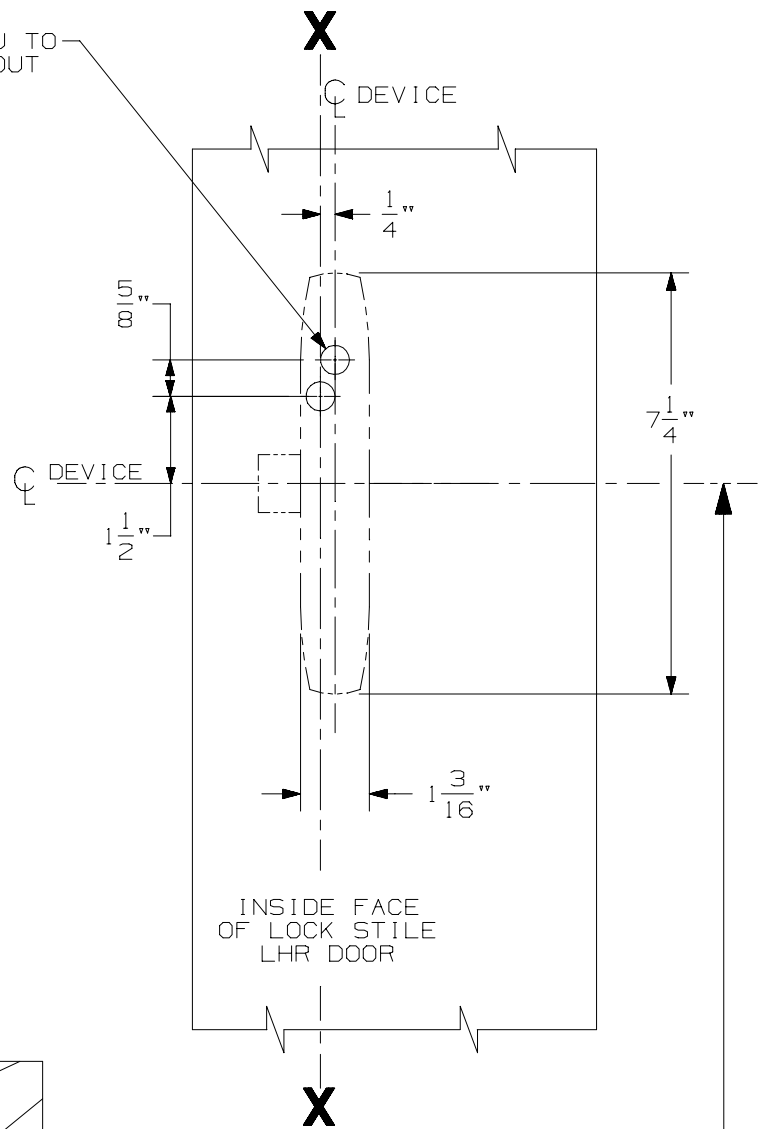


1/2" DIA THRU TO CYLINDER CUTOUT 2 HOLES



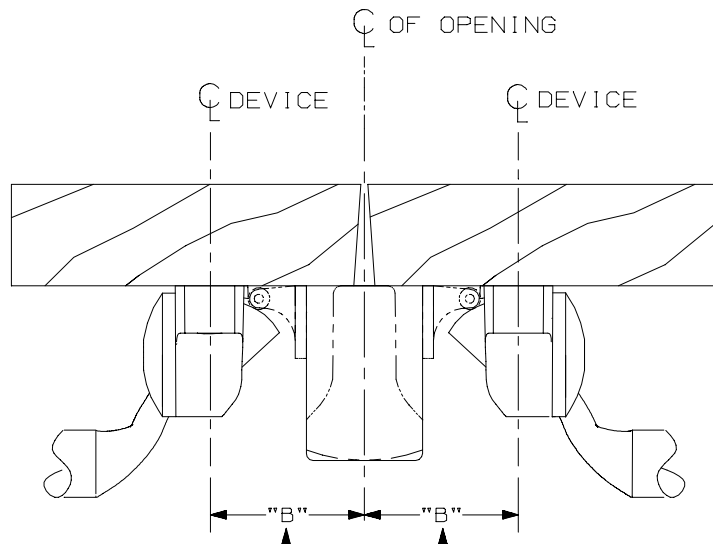
SINGLE DOOR INSTALLATION

STRIKE	DIMENSION "B"	MIN. STILE
299	1 19/32"	2 13/16"
264	1 11/32"	2 9/16"
1606	1 5/32"	2 3/8"
② 1409/1439	25/32"	1 3/4"
1410	25/32"	1 3/4"

SINGLE DOOR OPENING 39 13/16" TO FINISHED FLOOR.

DOUBLE DOOR OPENING WITH VON DUPRIN MULLION 39 11/16" TO FINISHED FLOOR

CROSSBAR 36 13/16" FROM FINISHED FLOOR



DOUBLE DOOR INSTALLATION WITH VON DUPRIN MULLIONS

MULLION	STRIKE	DIMENSION "B"	MIN. STILE
5654	299	2 5/32"	2 3/4"
5654	264	1 29/32"	2 1/2"
4954	299	2 19/32"	3 3/16"
4954	264	2 11/32"	2 15/16"
1654	1606	2 5/32"	2 3/4"

LHR SHOWN
RHR OPPOSITE

FOR OUTSIDE TRIM PREPARATION, WHEN REQUIRED, SEE ADDITIONAL TRIM TEMPLATE

NOTE: MOUNTING HOLES TO BE PREPARED AT INSTALLATION ON DOOR.

55NL SERIES RIM DEVICE (WOOD DOOR)



NOTE:

TEMPLATE NUMBER:

W10062_2

DATE:

06-26-03