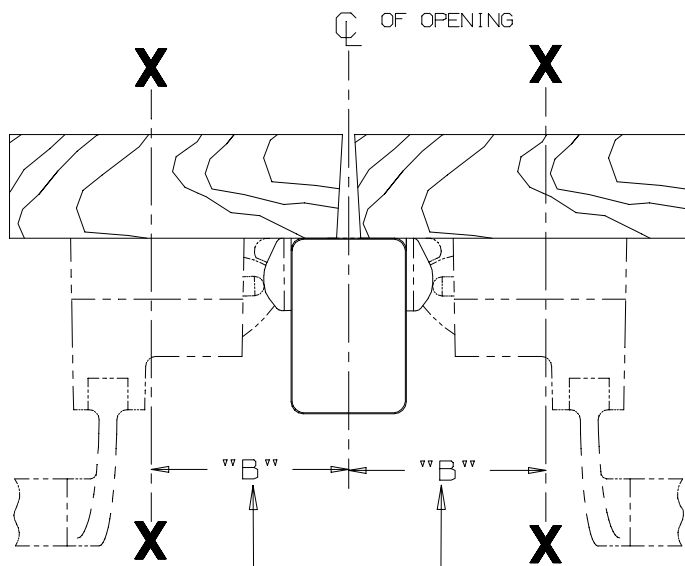
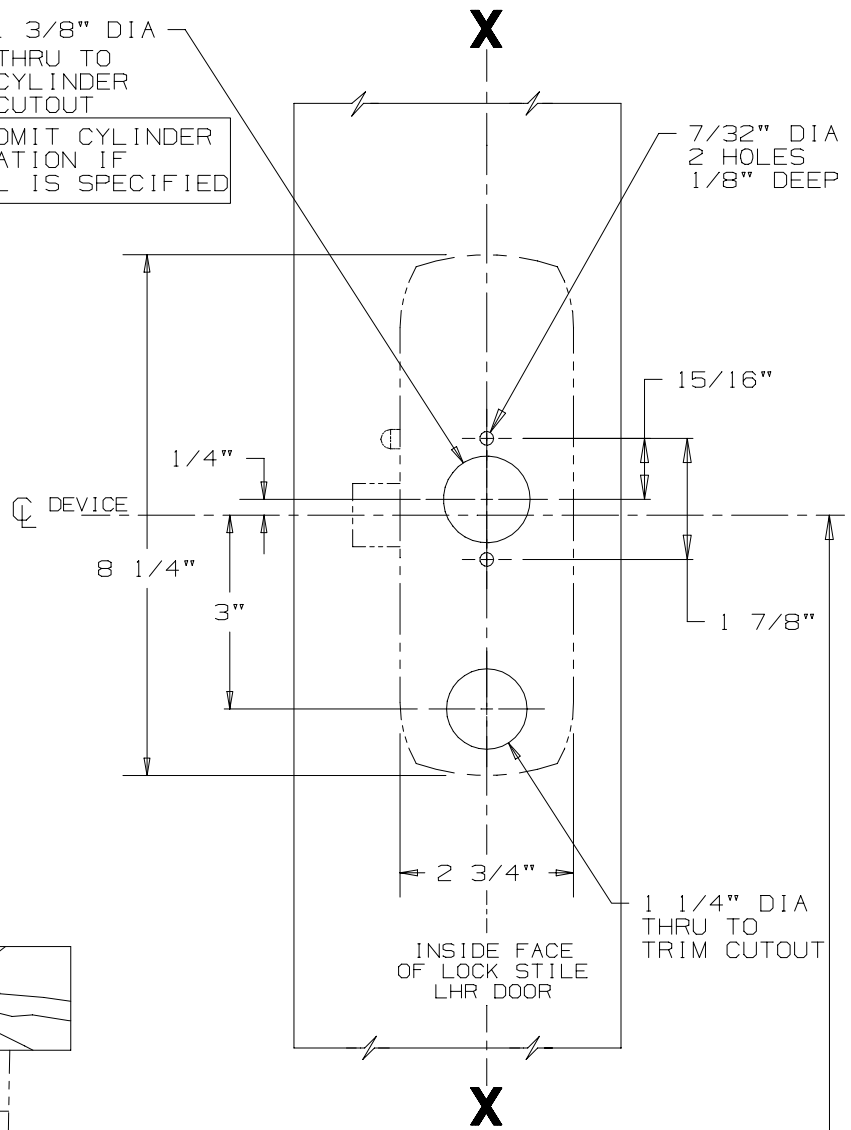


1 3/8" DIA THRU TO CYLINDER CUTOUT

NOTE: OMIT CYLINDER PREPARATION IF CONTROL IS SPECIFIED

SINGLE DOOR INSTALLATION		
STRIKE	DIMENSION "B"	MIN. STILE
268	2 3/8"	4 3/8"



DOUBLE DOOR INSTALLATION WITH VON DUPRIN MULLIONS			
MULLION	STRIKE	DIMENSION "B"	MIN. STILE
9954	268	3 3/8"	4 11/16"

SINGLE DOOR OPENING 39 13/16" TO FINISHED FLOOR

DOUBLE DOOR OPENING WITH VON DUPRIN MULLION 39 11/16" TO FINISHED FLOOR

①

CROSSBAR 36 13/16" FROM FINISHED FLOOR

LHR SHOWN
RHR OPPOSITE

FOR OUTSIDE TRIM PREPARATION, WHEN REQUIRED, SEE ADDITIONAL TRIM TEMPLATE.

NOTE: MOUNTING HOLES TO BE PREPARED AT INSTALLATION ON DOOR.

88K-F SERIES RIM DEVICE (WOOD DOOR)



①

NOTE:

TEMPLATE NUMBER:

W10172_1

DATE: 10-21-98