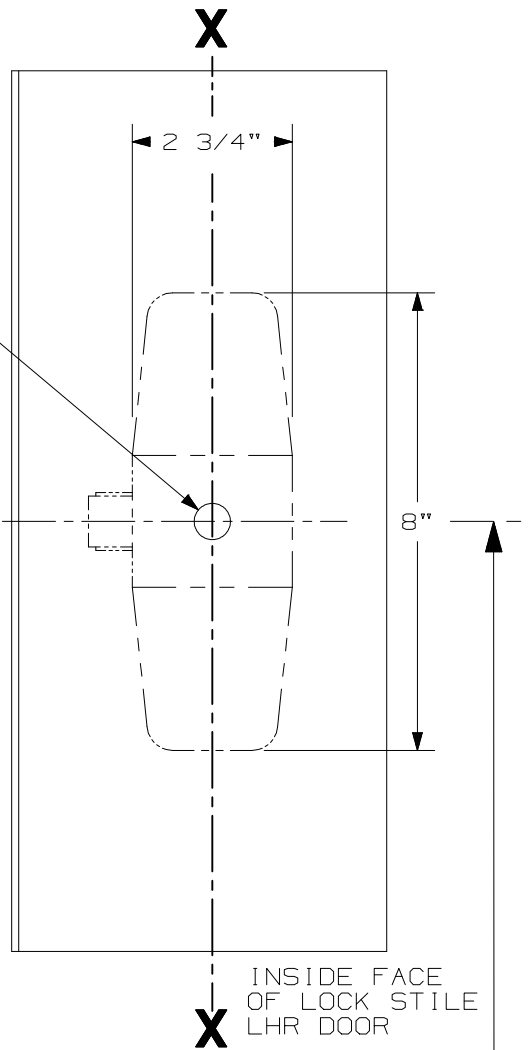


SINGLE DOOR INSTALLATION		
STRIKE	DIM. "B"	MIN. STILE
909	2 3/8"	4 1/2"

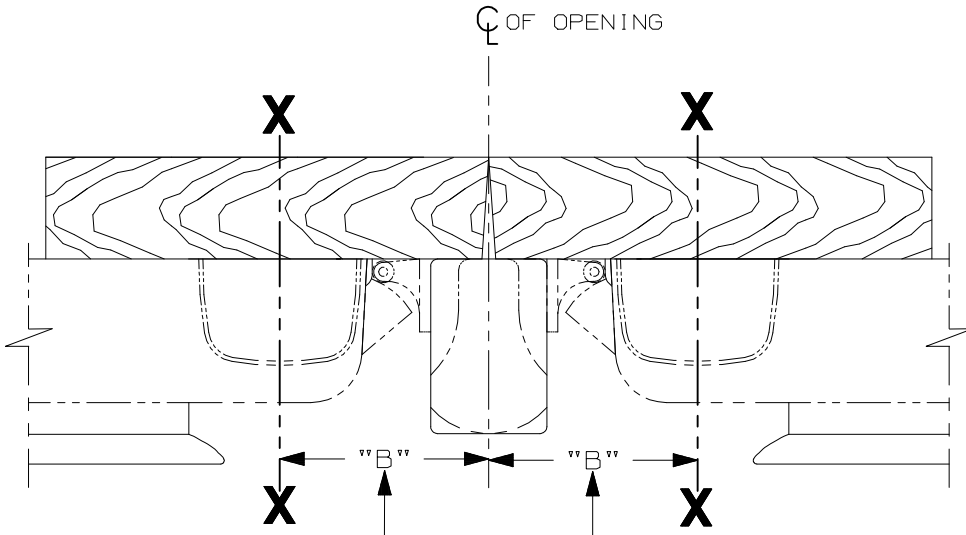
5/8" DIA THRU
TO CYLINDER
CUTOUT

CL DEVICE



INSIDE FACE
OF LOCK STILE
LHR DOOR

CL OF OPENING



SINGLE DOOR OPENING
39 13/16" TO FINISHED FLOOR

DOUBLE DOOR OPENING
WITH VON DUPRIN MULLION
39 11/16" TO FINISHED FLOOR

DOUBLE DOOR INSTALLATION WITH VON DUPRIN MULLIONS			
MULLION	STRIKE	DIM. "B"	MIN. STILE
4954	909	3 3/8"	4 7/8"
9954	954	3 1/2"	5 "
5654	909	2 15/16"	4 3/8"

REMOVE GLASS STOP OR BEAD
IN AREA OF DEVICE IF REQUIRED
UNLESS GBK IS USED.

LHR SHOWN
RHR OPPOSITE

FOR OUTSIDE TRIM PREPARATION, WHEN REQUIRED,
SEE ADDITIONAL TRIM TEMPLATE

NOTE:
MOUNTING HOLES TO BE PREPARED
AT INSTALLATION ON DOOR.

XP98/XP99 NL SERIES RIM DEVICE
WOOD DOOR APPLICATION



NOTE:

TEMPLATE
NUMBER:

W10612_A

DATE:

04-28-08