

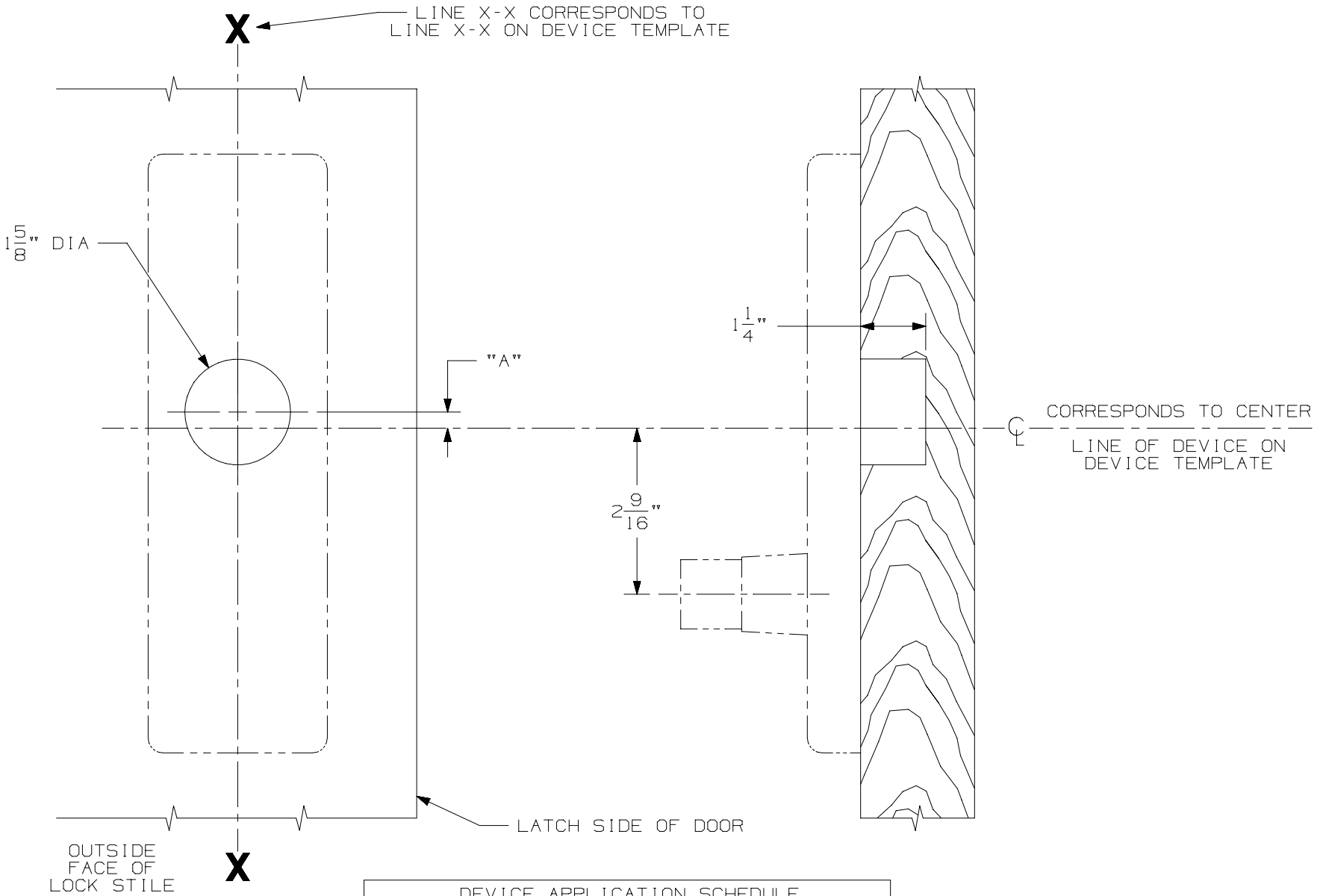
NOTES:

994/996L-RIGID SERIES TRIM  
WOOD DOOR APPLICATION (4)

TEMPLATE NUMBER:

W20005\_4

DATE:  
10-16-03



DEVICE APPLICATION SCHEDULE	
DEVICE	DIM. "A"
98/99 RIM SERIES DEVICE	1/4"
9827/9927 SERIES DEVICE	1/4"
9847WDC/9947WDC SERIES DEVICE	1/4"
9875/9975 SERIES DEVICE	2 1/4"

LHR SHOWN  
RHR OPPOSITE

NOTE: MOUNTING HOLES TO BE PREPARED AT INSTALLATION ON DOOR.

FOR CUTOUTS ON INSIDE FACE OF DOOR SEE DEVICE TEMPLATE.