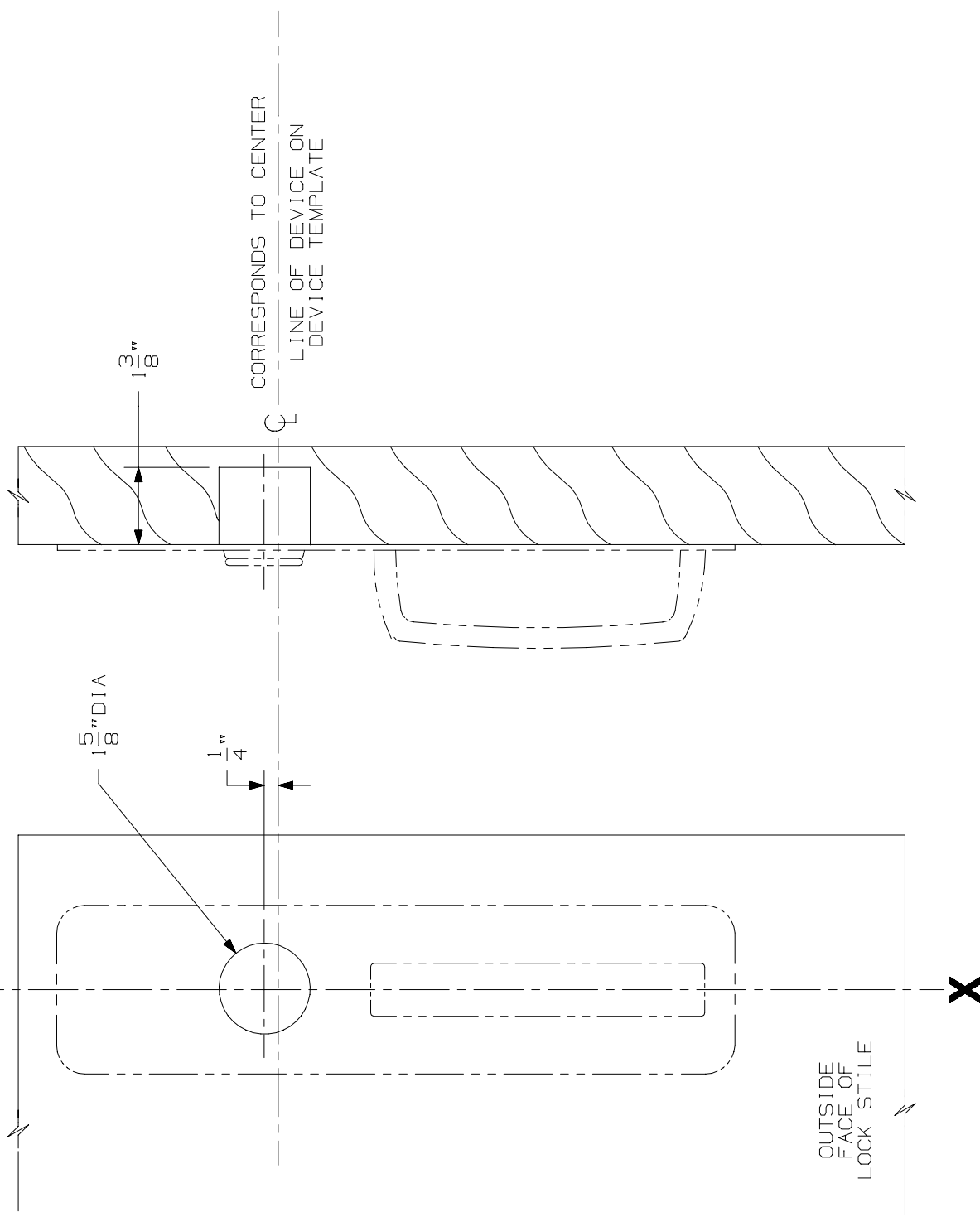


LINE X-X CORRESPONDS TO  
LINE X-X ON DEVICE TEMPLATE

X



5/8" DIA

1 3/8"

1/4"

CORRESPONDS TO CENTER  
LINE OF DEVICE ON  
DEVICE TEMPLATE

C

OUTSIDE  
FACE OF  
LOCK STILE

X

LHR SHOWN  
RHR OPPOSITE

FOR CUTOUTS ON INSIDE FACE OF DOOR  
SEE DEVICE TEMPLATE.

NOTE: MOUNTING HOLES TO BE PREPARED  
AT INSTALLATION ON DOOR.

VON DUPRIN

230NL TRIM (WOOD DOOR)

**INGERSOLL-RAND**  
ARCHITECTURAL HARDWARE



NOTES:

TEMPLATE  
NUMBER:

W20037\_1

DATE:

10-12-98