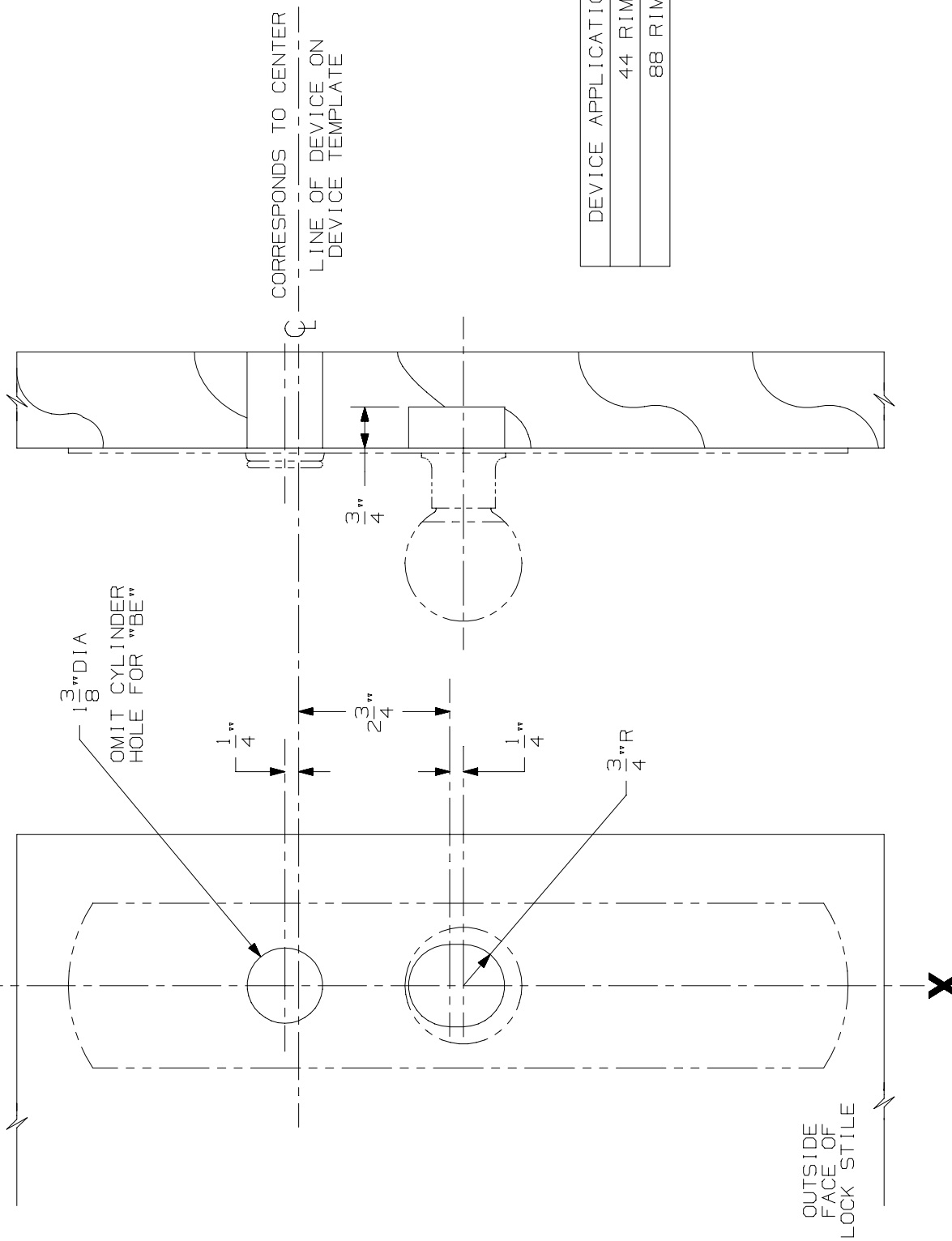


LINE X-X CORRESPONDS TO
LINE X-X ON DEVICE TEMPLATE



CORRESPONDS TO CENTER
LINE OF DEVICE ON
DEVICE TEMPLATE

DEVICE APPLICATION SCHEDULE
44 RIM
88 RIM

LHR SHOWN
RHR OPPOSITE

NOTE: MOUNTING HOLES TO BE PREPARED
AT INSTALLATION ON DOOR.

880K & 880K-BE TRIM (WOOD DOOR)



NOTES:

TEMPLATE
NUMBER:

W20254_1

DATE:

10-14-98

FOR CUTOUTS ON INSIDE FACE OF DOOR
SEE DEVICE TEMPLATE.