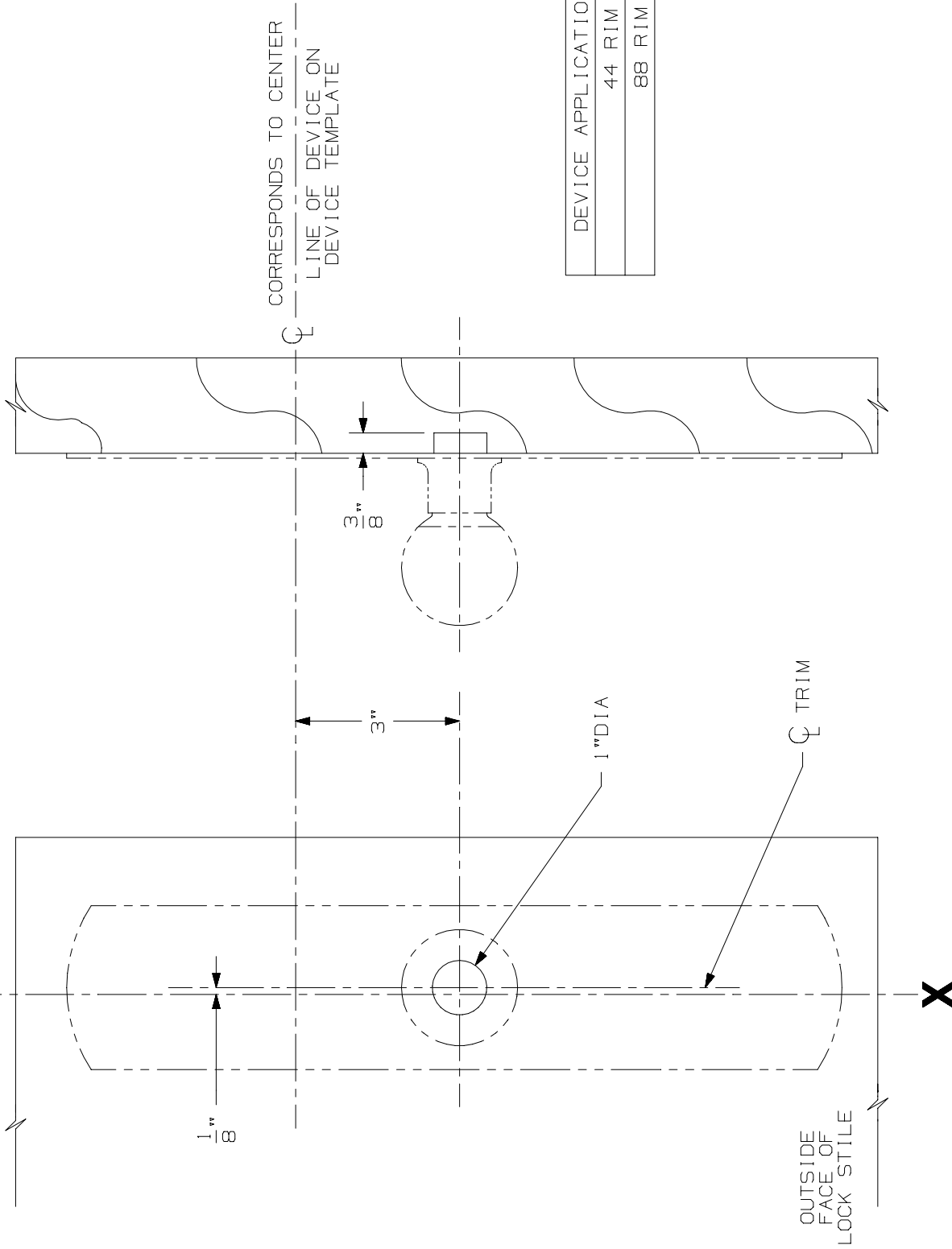


LINE X-X CORRESPONDS TO
LINE X-X ON DEVICE TEMPLATE



DEVICE APPLICATION SCHEDULE
44 RIM
88 RIM

LHR SHOWN
RHR OPPOSITE

NOTE: MOUNTING HOLES TO BE PREPARED
AT INSTALLATION ON DOOR.

FOR CUTOUTS ON INSIDE FACE OF DOOR
SEE DEVICE TEMPLATE.

880K-DT TRIM (WOOD DOOR)



NOTES:

TEMPLATE NUMBER:

W20255_1

DATE:

10-14-98