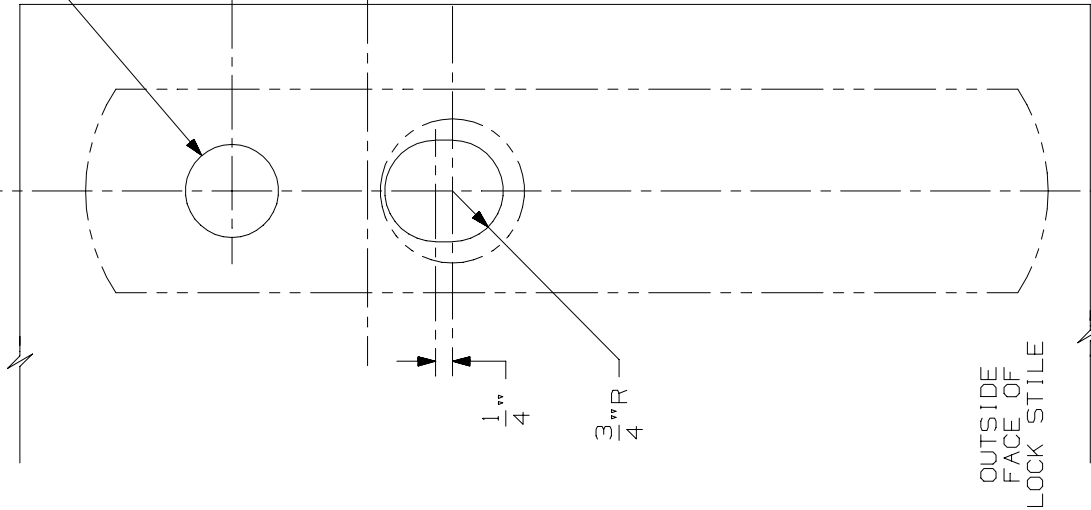


LINE X-X CORRESPONDS TO
LINE X-X ON DEVICE TEMPLATE

$\frac{1}{8}$ " DIA

OMIT CYLINDER
HOLE FOR "BE"

X



OUTSIDE
FACE OF
LOCK STILE

X

CORRESPONDS TO CENTER
LINE OF DEVICE ON
DEVICE TEMPLATE

DEVICE APPLICATION SCHEDULE				
DEVICE	DIM. "A"	DIM. "B"	DIM. "C"	
88 MORT.	1 1/4"	2"	3/4"	
88 VERT.	1 1/2"	1 3/4"		THRU

LHR SHOWN
RHR OPPOSITE

NOTE: MOUNTING HOLES TO BE PREPARED
AT INSTALLATION ON DOOR.

FOR CUTOUTS ON INSIDE FACE OF DOOR
SEE DEVICE TEMPLATE.

880K & 880K-BE TRIM (WOOD DOOR)

IR VON DUPRIN®

NOTES:

TEMPLATE
NUMBER:

W20261_1

DATE:

10-15-98

