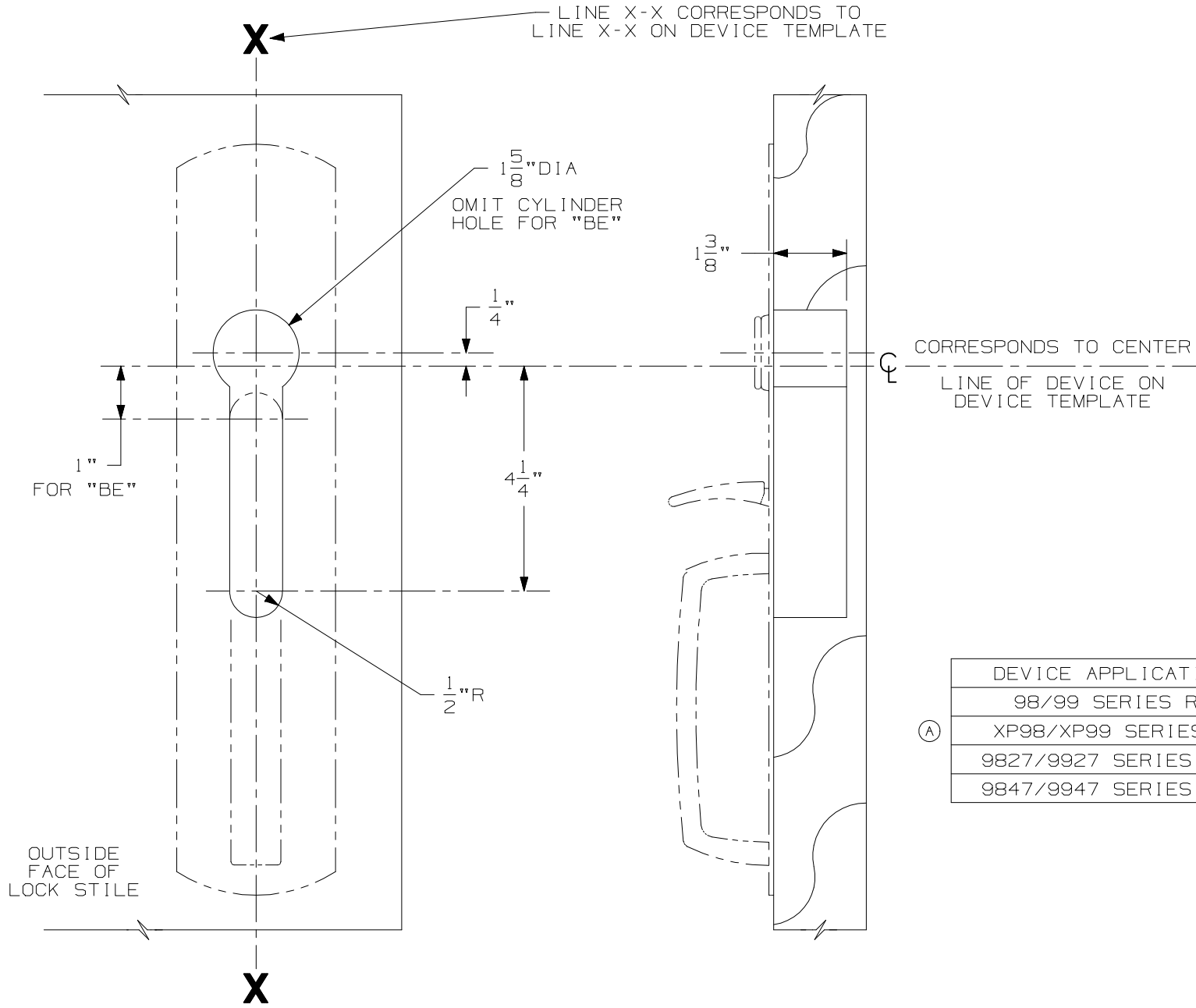


NOTES:

990TP & 990TP-BE TRIM (WOOD DOOR)



	DEVICE APPLICATION SCHEDULE
	98/99 SERIES RIM DEVICE
(A)	XP98/XP99 SERIES RIM DEVICE
	9827/9927 SERIES VERT. DEVICE
	9847/9947 SERIES VERT. DEVICE

LHR SHOWN
RHR OPPOSITE

NOTE: MOUNTING HOLES TO BE PREPARED AT INSTALLATION ON DOOR.

FOR CUTOUTS ON INSIDE FACE OF DOOR SEE DEVICE TEMPLATE.

TEMPLATE NUMBER:

W20265-A

DATE: 04-28-08

