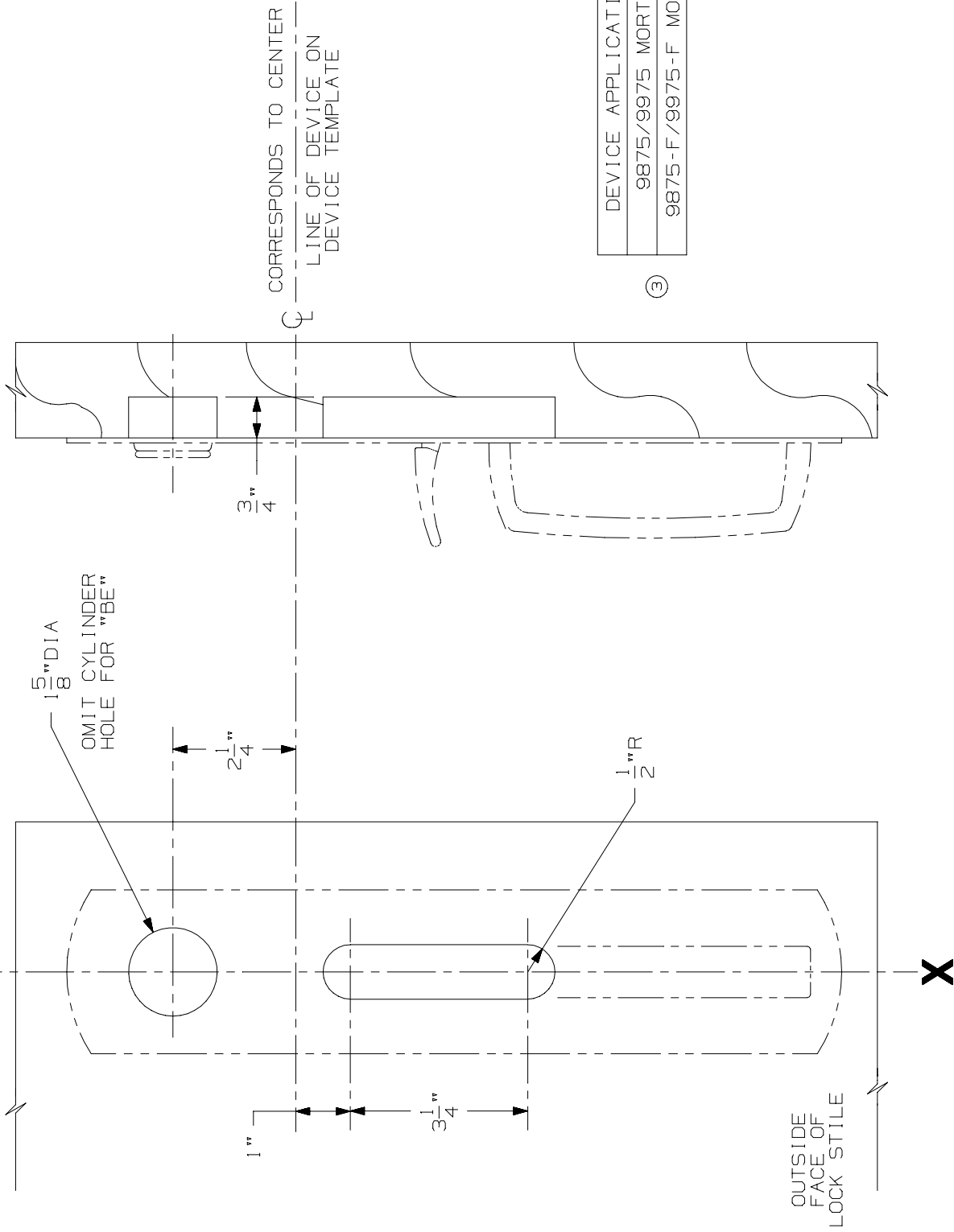


LINE X-X CORRESPONDS TO  
LINE X-X ON DEVICE TEMPLATE



DEVICE APPLICATION SCHEDULE
9875/9975 MORTISE DEVICE
9875-F/9975-F MORTISE DEVICE

③

LHR SHOWN  
RHR OPPOSITE

NOTE: MOUNTING HOLES TO BE PREPARED  
AT INSTALLATION ON DOOR.

FOR CUTOUTS ON INSIDE FACE OF DOOR  
SEE DEVICE TEMPLATE.

990TP & 990TP-BE TRIM (WOOD DOOR)



③

NOTES:

TEMPLATE NUMBER: W20270\_3

DATE: 10-15-98