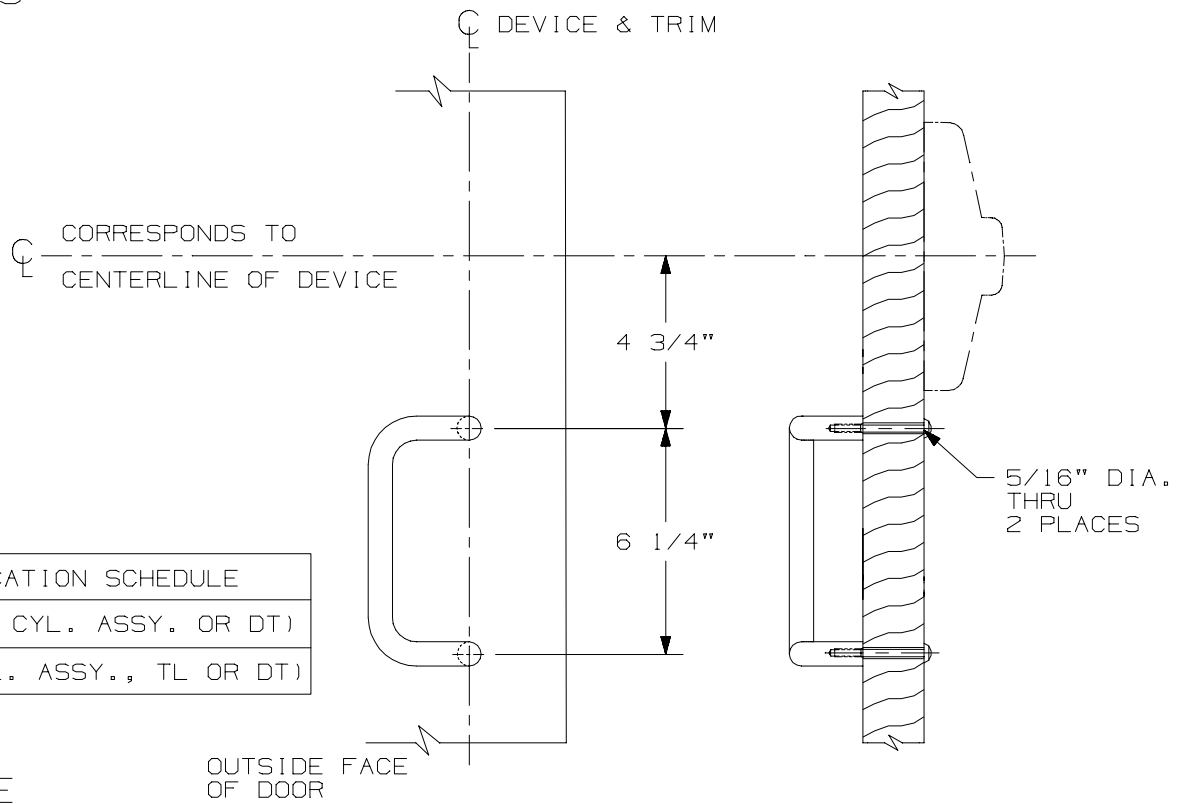


392-6 (PULL BELOW CENTER)

FOR 388 CYLINDER ASSY, TL OR DT APPLICATIONS



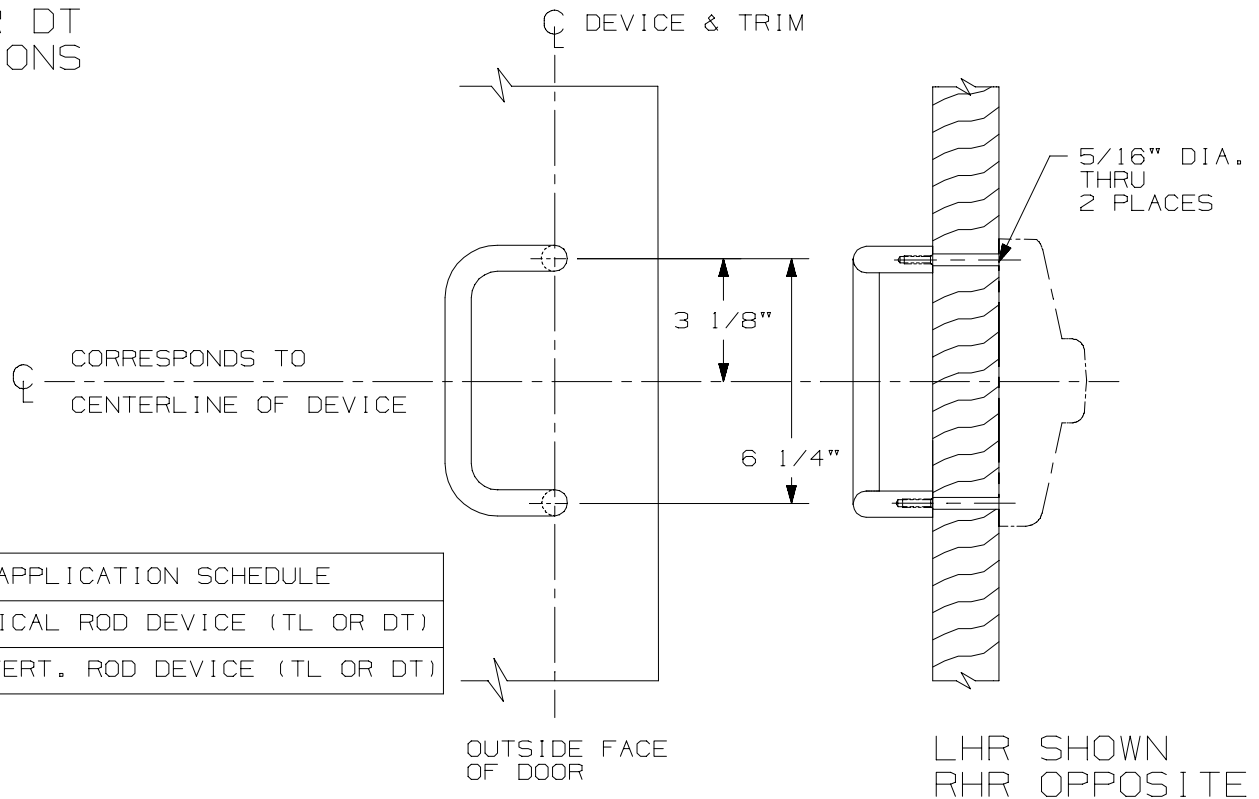
DEVICE APPLICATION SCHEDULE
33A/35A RIM (388 CYL. ASSY. OR DT)
33/3527A (388 CYL. ASSY., TL OR DT)

LHR SHOWN
RHR OPPOSITE

OUTSIDE FACE
OF DOOR

392-6 (PULL ON CENTER)

FOR TL OR DT APPLICATIONS



DEVICE APPLICATION SCHEDULE
33/3527A VERTICAL ROD DEVICE (TL OR DT)
33/3547A-WDC VERT. ROD DEVICE (TL OR DT)

LHR SHOWN
RHR OPPOSITE

OUTSIDE FACE
OF DOOR

392-6 PULL (WOOD DOOR)



NOTE: SEE MASTER SHEET NO. 10001 FOR SUGGESTED REINFORCING.

TEMPLATE
NUMBER:

W20454_0

DATE:
06-27-03