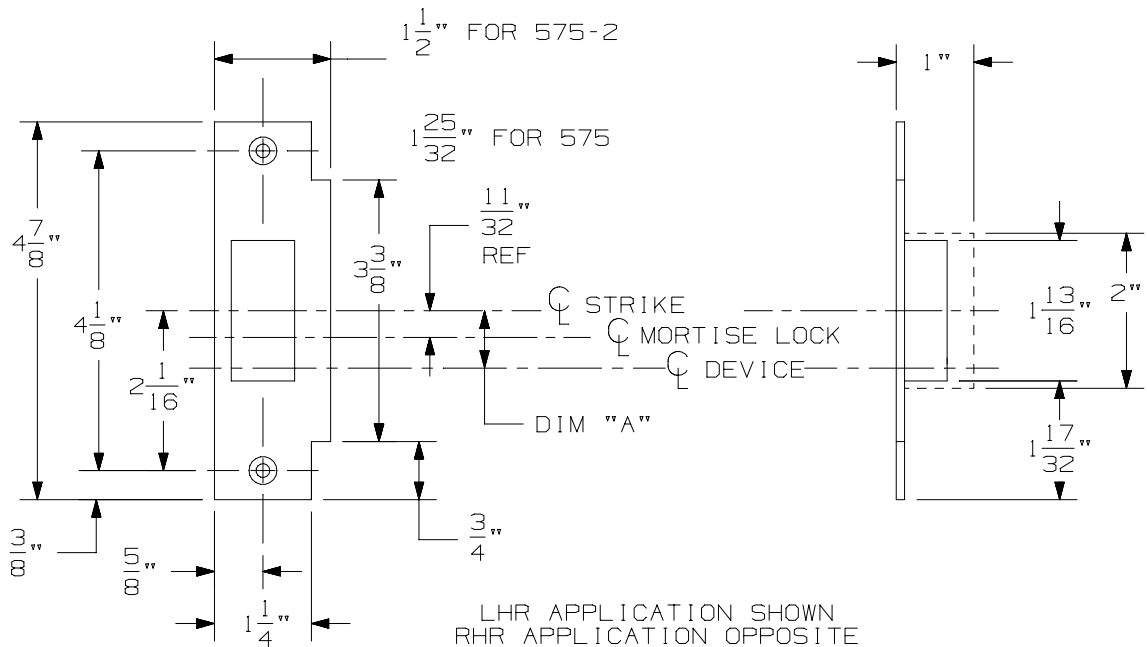
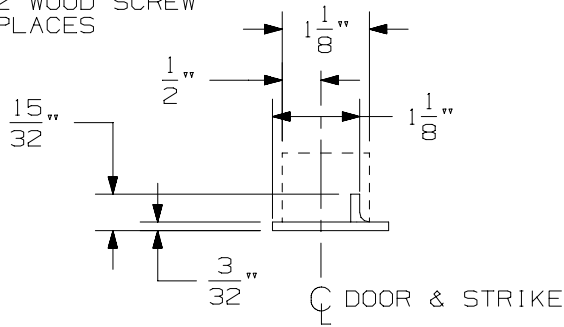
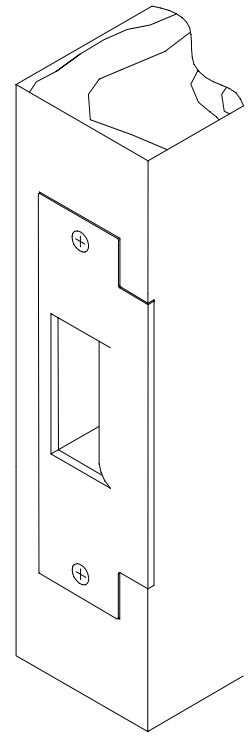


SUGGESTED CUTOUT

PILOT DRILL FOR #12 WOOD SCREW 2 PLACES

APPLICATION SCHEDULE	
DEVICE	DIM "A"
9875 & 9875-F	11/16"
9975 & 9975-F	11/16"
8875 & 8875-F	1/2"
5575 & 5575-F	1/2"



LHR APPLICATION SHOWN  
RHR APPLICATION OPPOSITE

575/575-2 MORTISE STRIKE  
FOR DOUBLE DOORS  
WOOD DOOR



NOTE: SEE MASTER SHEET NO. 10001 FOR SUGGESTED REINFORCING.

TEMPLATE NUMBER: W30212\_2

DATE: 10-14-98