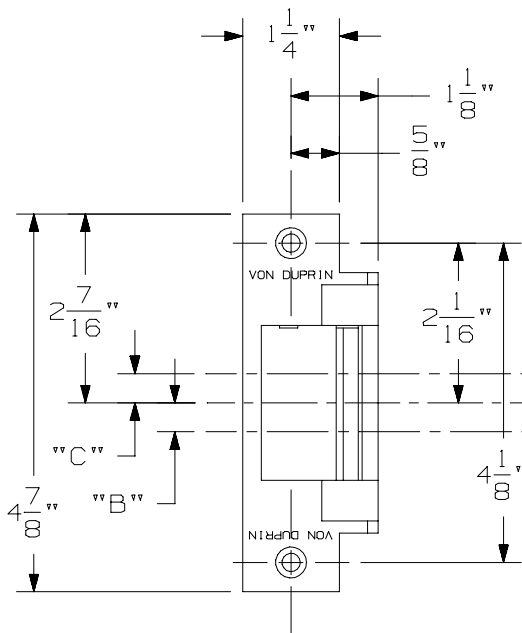
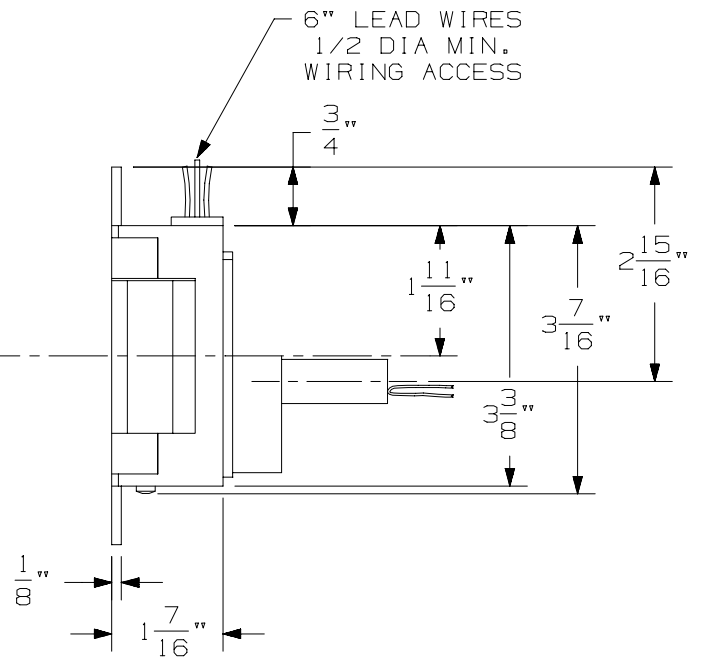


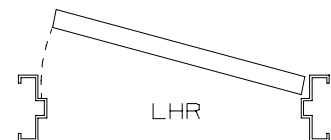
PILOT DRILL FOR #12 WOOD SCREWS 2 PLACES



LHR APP. SHOWN
RHR APP. OPPOSITE



NOTES:
1. SEE SHT 2 FOR APPLICATION SCHEDULE.



6211 WF ELECTRIC STRIKE
WOOD FRAME APPLICATION



NOTE: SEE MASTER SHEET NO. 10001 FOR SUGGESTED REINFORCING

TEMPLATE NUMBER: W30218_9SHT 1

DATE: 02-21-00

6211 WF ELECTRIC STRIKE MORTISE/CYLINDRICAL APPLICATION SCHEDULE

PRODUCT MANUFACTURER	PRODUCT APPLICATION	THROW	DIM "B"	DIM "C"
VON DUPRIN	7500 MORTISE	3/4"	3/8"	
ADAMS RITE	4510 MORTISE	1/2"	3/8"	
ADAMS RITE	4710 MORTISE	5/8"	3/8"	
ARROW	A & B MORTISE	3/4"		3/8"
BALDWIN	6000 MORTISE	3/4"		11/16"
BEST	24H/30 SERIES MORTISE	3/4"		3/8"
*CORBIN	9000 SERIES MORTISE	3/4"		3/8"
FALCON	M2300/M2500 MORTISE	3/4"		7/16"
FALCON	M3300/M3500 MORTISE	5/8"		7/16"
FALCON	M2600 MORTISE	3/4"	7/16"	
FALCON	M3600 MORTISE	5/8"	7/16"	
GENERAL	MORTISE	3/4"		7/8"
PRECISION	MORTISE	3/4"		7/16"
*RUSSWIN	5000 MORTISE	3/4"		3/8"
SARGENT	77 MORTISE	5/8"		7/16"
SARGENT	18-77/81 MORTISE	3/4"		3/8"
SARGENT	900 MORTISE	3/4"		7/16"
SCHLAGE	K30/40/50/60 MORTISE	3/4"		7/8"
SCHLAGE	L9000 MORTISE	3/4"		7/8"
YALE	8600 MORTISE	5/8"		3/8"
YALE	7030/7130/8700 MORTISE	3/4"		3/8"
GLYNN-JOHNSON	HL6 CYLINDRICAL	1/2"	0	0
BALDWIN	CYLINDRICAL	1/2" - 3/4"	0	0
BEST	CYLINDRICAL	3/8" - 3/4"	0	0
FALCON	CYLINDRICAL	1/2" - 3/4"	0	0
RUSSWIN/CORBIN	CYLINDRICAL	1/2" - 3/4"	0	0
SARGENT	CYLINDRICAL	1/2" - 3/4"	0	0
SCHLAGE	CYLINDRICAL	3/8" - 3/4"	0	0
YALE	CYLINDRICAL	1/2" - 3/4"	0	0

REPLACES:

VON DUPRIN 3140 ELECTRIC STRIKE

NOTES:

1. DEADLATCH NOT GUARANTEED ON CYLINDRICAL APPLICATIONS.
2. MONITORING COULD BE AFFECTED BY DOOR/FRAME PREPARATION.
3. SIGNAL TRIPPER FUNCTION WITH 3/8" THROW BOLTS IS NOT RECOMMENDED.
- *4. DO NOT USE FOR LOCKS WITH DEADBOLTS.

6211 WF ELECTRIC STRIKE
WOOD FRAME APPLICATION



NOTE: SEE MASTER NO. 10001 FOR SUGGESTED REINFORCING.

TEMPLATE NUMBER: W30218_9SHT2

DATE: 02-21-00