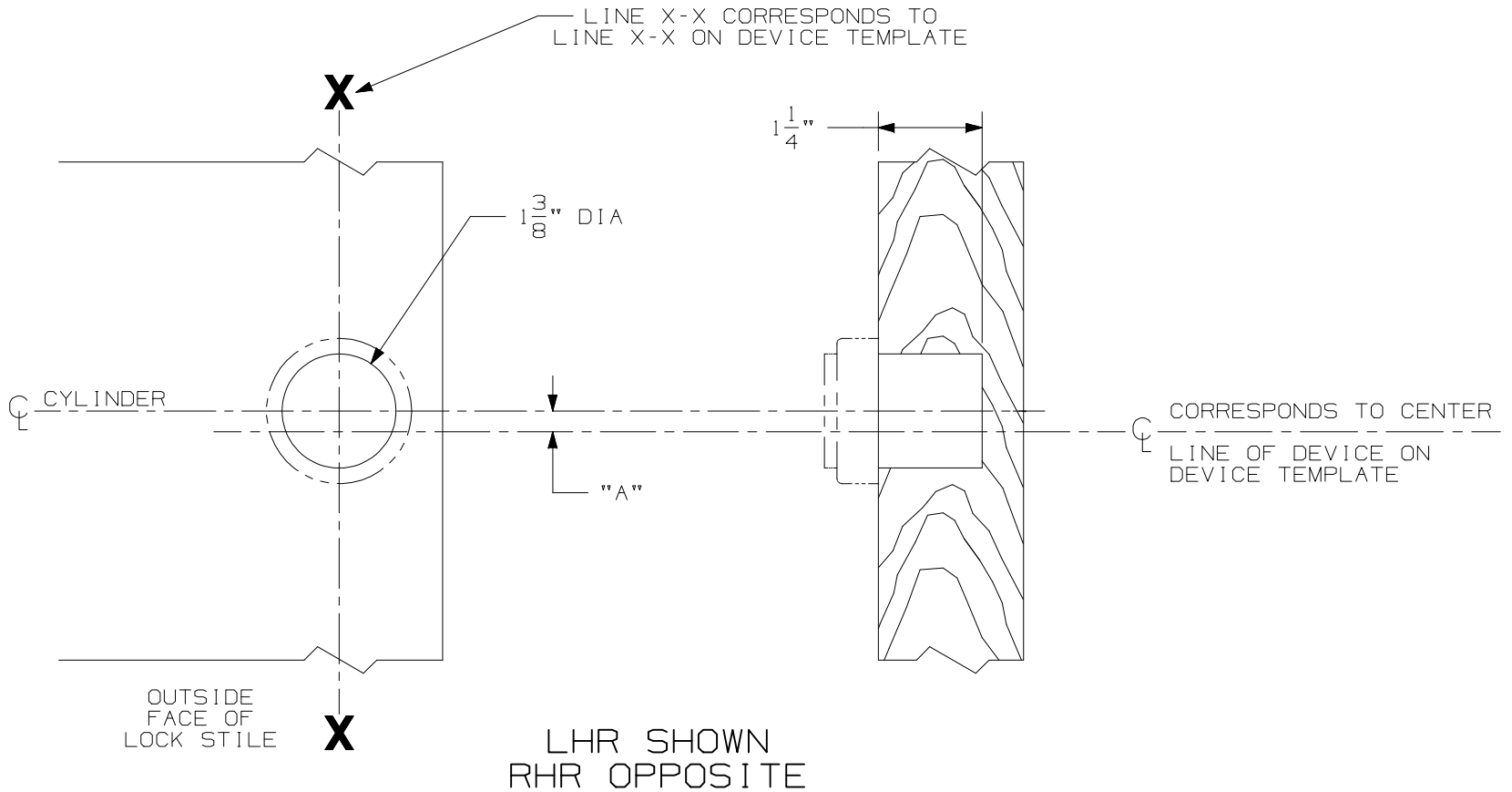


110NL CYLINDER
PREPARATION (WOOD DOOR)



DEVICE APPLICATION SCHEDULE	
DEVICE	DIM. "A"
22 RIM	1/4"
55 RIM	1 3/4"
98/99 SERIES RIM DEVICE	1/4"
(A) XP98/XP99 SERIES RIM DEVICE	1/4"
9827/9927 SERIES VERT. DEVICE	1/4"
9847/9947 SERIES VERT. DEVICE	1/4"

FOR CUTOUTS ON INSIDE FACE OF DOOR
SEE DEVICE TEMPLATE.

NOTES:

TEMPLATE
NUMBER:

W40016_A

DATE:

04-28-08

