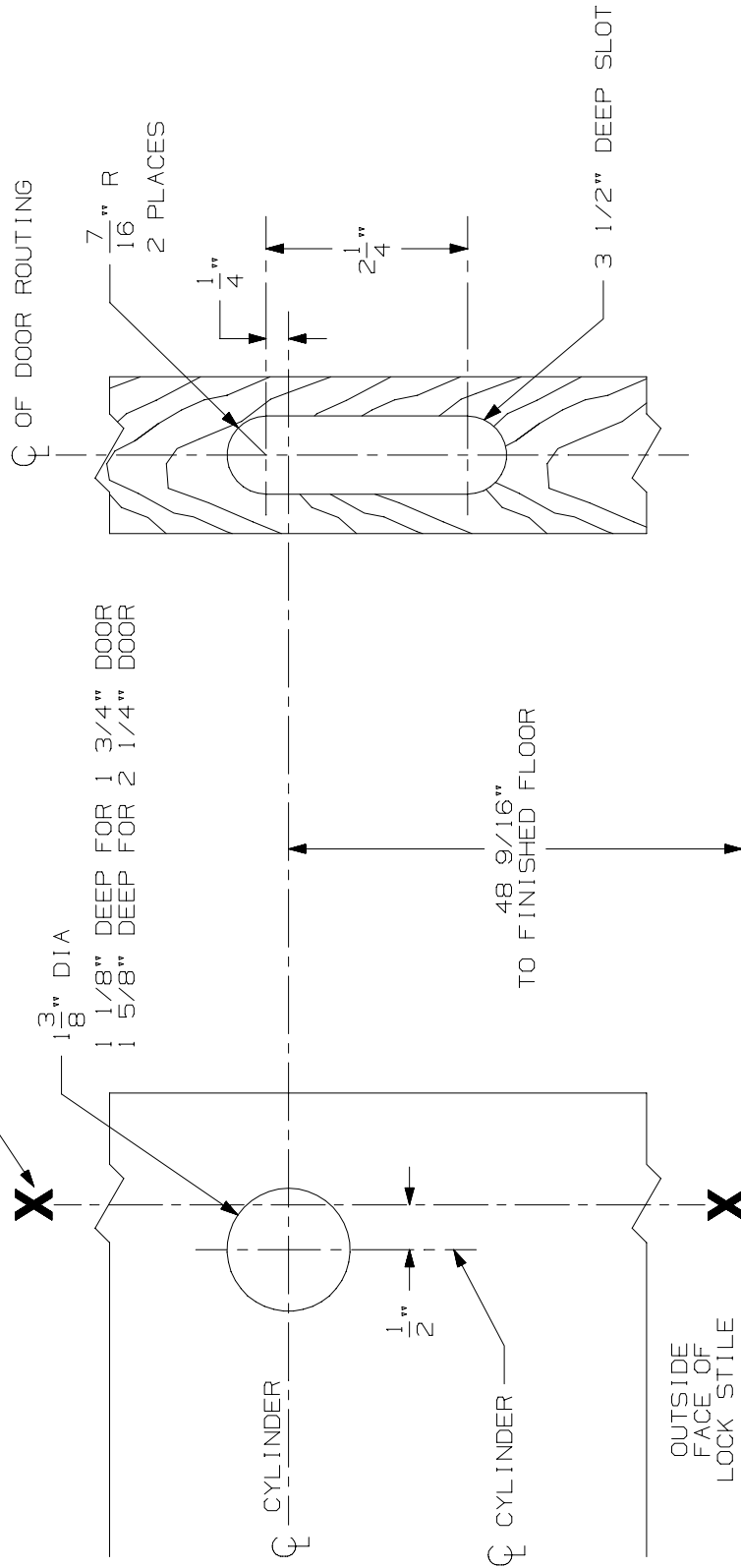


LINE X-X CORRESPONDS TO
LINE X-X ON DEVICE TEMPLATE



LHR SHOWN
RHR OPPOSITE

DEVICE APPLICATION SCHEDULE
5547WDC VERT.
8847WDC VERT.

NOTE: MOUNTING HOLES TO BE PREPARED
AT INSTALLATION ON DOOR.

FOR CUTOUTS ON INSIDE FACE OF DOOR
SEE DEVICE TEMPLATE.

556NL CYLINDER
INSTALLATION (WOOD DOOR)



NOTES:

TEMPLATE
NUMBER:

W40021_1

DATE:

8-13-98