

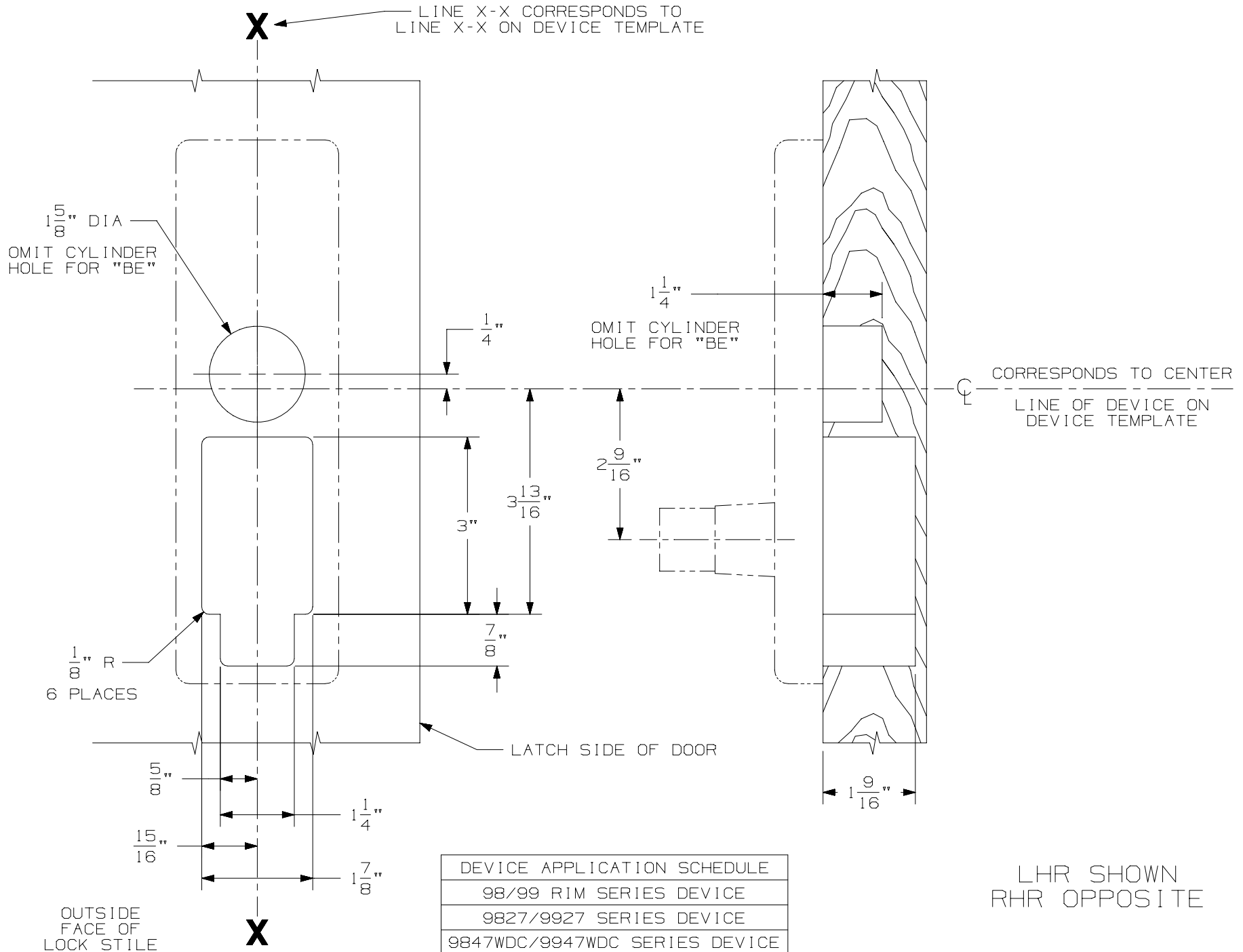
NOTES:

994/996L & 994/996L-BE R/V SERIES
TRIM WOOD DOOR APPLICATION (4)

TEMPLATE
NUMBER:

W20003_4

DATE:
10-16-03



DEVICE APPLICATION SCHEDULE
98/99 RIM SERIES DEVICE
9827/9927 SERIES DEVICE
9847WDC/9947WDC SERIES DEVICE

LHR SHOWN
RHR OPPOSITE

NOTE: MOUNTING HOLES TO BE PREPARED AT INSTALLATION ON DOOR.

FOR CUTOUTS ON INSIDE FACE OF DOOR SEE DEVICE TEMPLATE.