

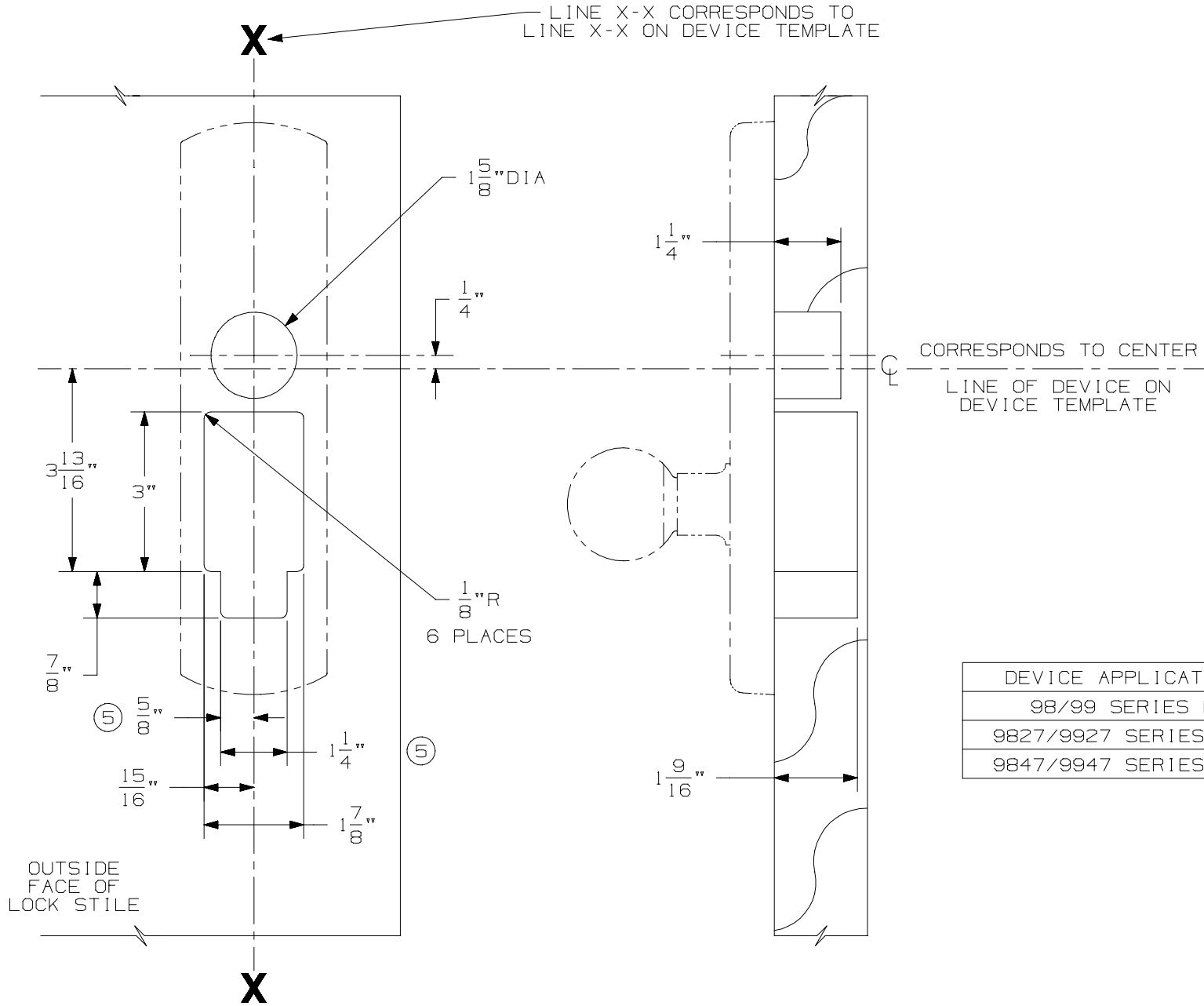
NOTES:

991K & 992L TRIM (WOOD DOOR)

TEMPLATE NUMBER:

W20272_5

DATE: 1-20-03



DEVICE APPLICATION SCHEDULE
98/99 SERIES RIM DEVICE
9827/9927 SERIES VERT. DEVICE
9847/9947 SERIES VERT. DEVICE

LHR SHOWN
RHR OPPOSITE

NOTE: MOUNTING HOLES TO BE PREPARED AT INSTALLATION ON DOOR.

FOR CUTOUTS ON INSIDE FACE OF DOOR SEE DEVICE TEMPLATE.