

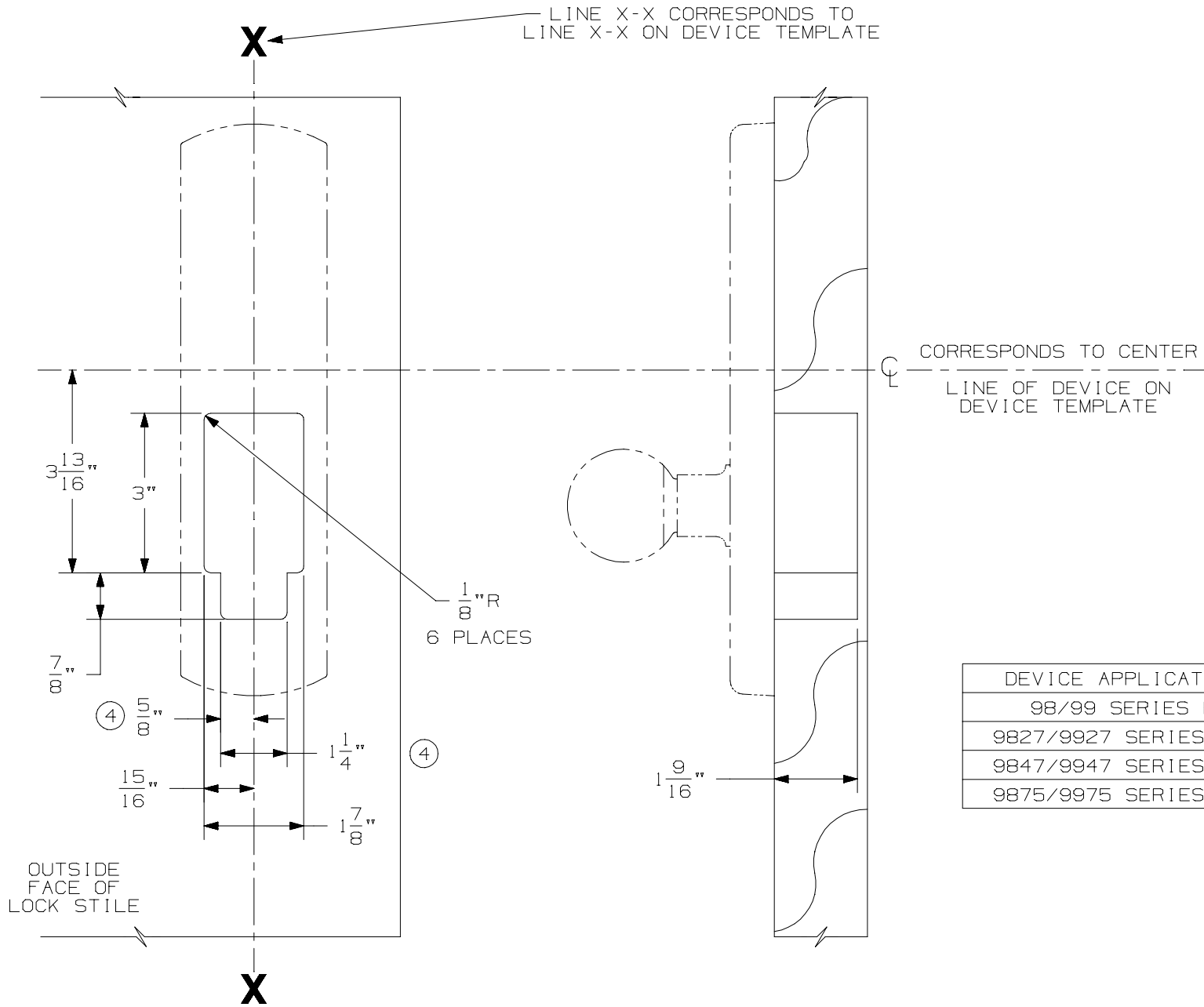
NOTES:

991K-BE & 992L-BE TRIM (WOOD DOOR)

TEMPLATE NUMBER:

W20273\_4

DATE: 1-20-03



DEVICE APPLICATION SCHEDULE
98/99 SERIES RIM DEVICE
9827/9927 SERIES VERT. DEVICE
9847/9947 SERIES VERT. DEVICE
9875/9975 SERIES MORT. DEVICE

LHR SHOWN  
RHR OPPOSITE

NOTE: MOUNTING HOLES TO BE PREPARED AT INSTALLATION ON DOOR.

FOR CUTOUTS ON INSIDE FACE OF DOOR SEE DEVICE TEMPLATE.