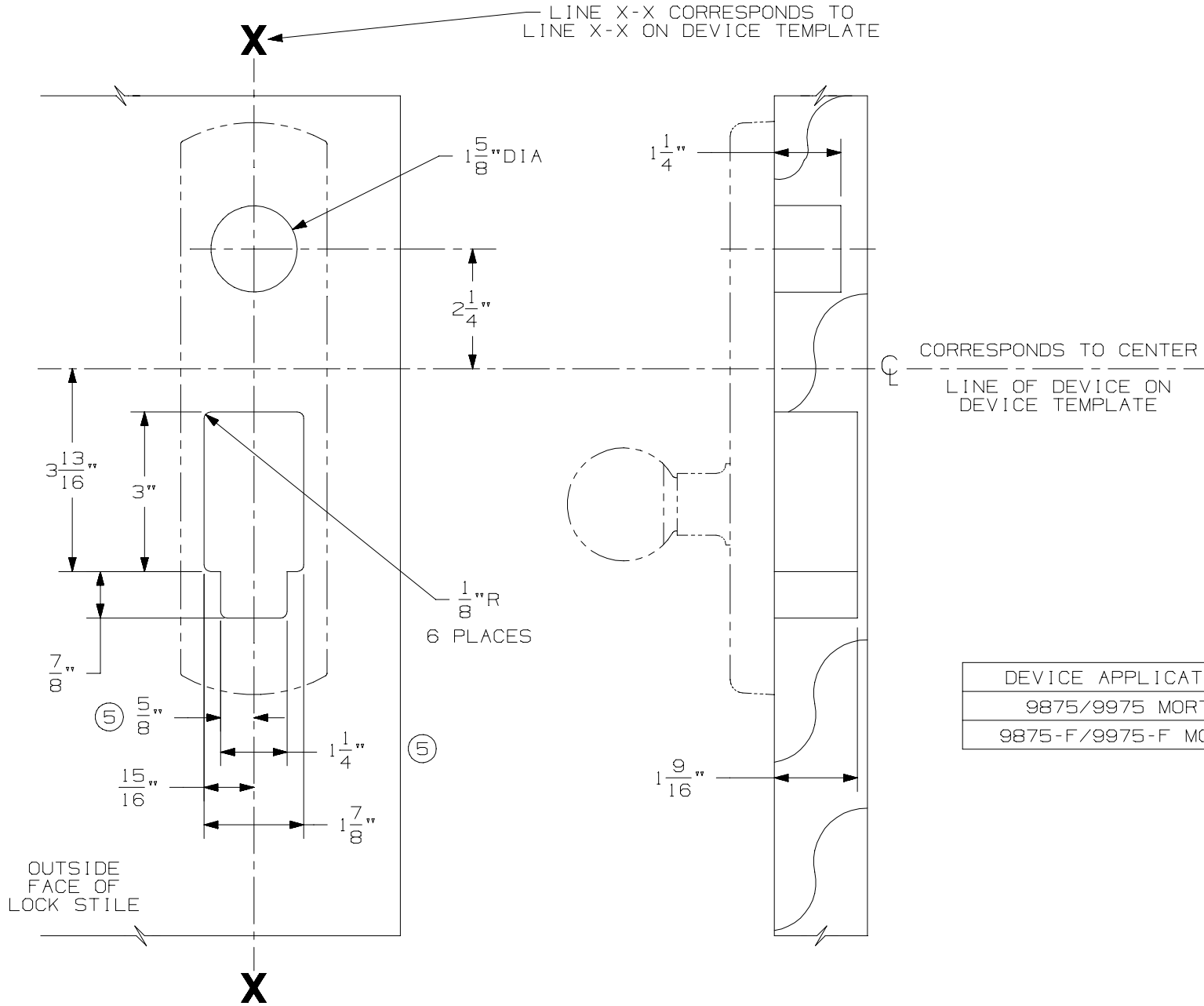


NOTES:

991K & 992L TRIM (WOOD DOOR)



DEVICE APPLICATION SCHEDULE
9875/9975 MORTISE DEVICE
9875-F/9975-F MORTISE DEVICE

LHR SHOWN  
RHR OPPOSITE

NOTE: MOUNTING HOLES TO BE PREPARED AT INSTALLATION ON DOOR.

FOR CUTOUTS ON INSIDE FACE OF DOOR SEE DEVICE TEMPLATE.

TEMPLATE NUMBER:

W20280\_5

DATE: 1-20-03

