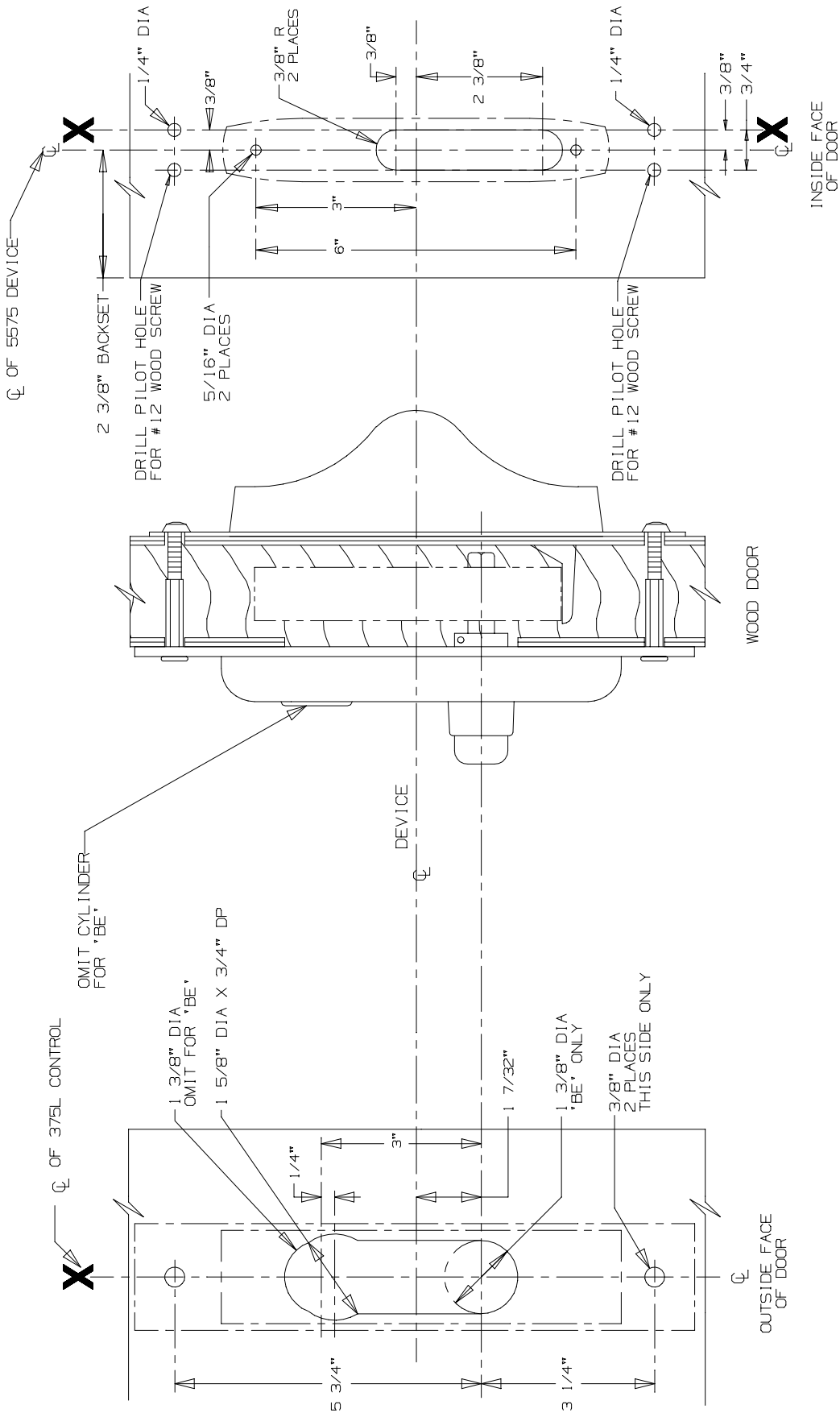


FOR INSTALLATION OF DEVICE/LOCK SEE DIRECTION 11068



375-L & 375-L-BE CONTROL
FOR 5575 & 5575-F WDC



NOTES: SEE MASTER SHEET NO. 10001 FOR SUGGESTED REINFORCING.

TEMPLATE NUMBER: W40127_0

DATE: 08-22-00

LHR SHOWN
RHR OPPOSITE