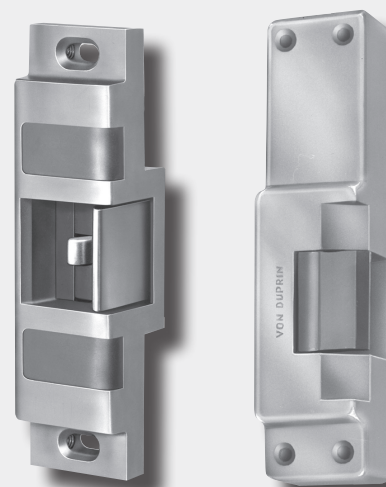


VON DUPRIN®

6100 Series

Strikes for rim exit devices



Overview

Von Duprin electric strikes are known for their reliability, durability and security. The 6100 Series strikes are designed to withstand abuse. Their heavy-duty stainless steel construction is UL1034 listed.

6100 Series electric door strikes are designed for use with a variety of rim exit devices including rim nightlatch. Electrified strikes allow remote release of a locked door by activating a movable lip (keeper) using an entry/exit button or credential reader and can be a cost effective means for managing access. 6100 Series strikes come standard as 24 VDC in fail secure mode. 12 VDC and AC operation can be selected, as can fail safe mode and other options that enable you to configure these strikes to fit your exact needs.

Use 6100 Series electric strikes for retrofit applications or new construction. To assure the proper selection of an electric strike on new applications, lockset compatibility charts are shown on the next page. When using a lockset not listed or if retrofitting a strike to an existing application, please contact Von Duprin technical support for application assistance.

Features and benefits

- Five configurations available for rim exit and nightlatch devices
- Heavy-duty stainless steel construction
- Strike box allows horizontal adjustment to compensate for misalignment of the door or frame
- 24 VDC standard with 12 VDC and AC operation optional
- Two-piece plug connectors are furnished for ease of installation and removal during strike servicing
- Options include rectifier kit for VAC to VDC conversion, dual monitor switches, entry buzzer and Allegion Connect wire extension
- Six popular finishes available to suite with existing hardware
- UL 10C 3-hour fire-rated electric strike (models 6111, 6112 and 6113 – fail secure only)
- UL 1034 listed for burglary-resistant electric door strikes



Model specifications

Model number		6111	6112	6113	6114	6121
Retrofits model		VD 3031	FA 310-4	VD 3011 VD 3021	FA 310-5	FA 310-4-100
Latchbolt throw		3/4"	3/4"	3/4"	3/4"	3/4"
Face plate length		6"	9"	6"	7 1/2"	9 1/8"
Backbox depth		1 5/8"	1 11/16"	1 15/16"	N/A	N/A
Lockset		Rim exit device	Rim exit device	Rim exit device	Rim nightlatch	Rim exit device
Number of doors	Single	■	■	■	■	---
	Double door with mullion	■	---	---	---	---
	Double door without mullion	---	---	---	---	■
Door/frame type	Hollow metal	■	■	■	■	■
	Aluminum	■	■	■	■	■
	Wood	■	■	■	---	■
Options	Blade stop shim	Yes	No	Yes	No	No
	DS or DS-LC (dual monitor switches)	Yes	Yes	Yes	Yes	Yes
	EB (entry buzzer - fail-secure only)	Yes	Yes	Yes	Yes	Yes
Certifications/Listings	UL 1034	■	■	■	■	■
	UL 10C Single Door	3 hour	3 hour	3 hour	---	---
	UL 10C Pair Door*	90 minutes	90 minutes	90 minutes	---	---
Application notes		1	2	3	4	5

*With manufacturer's mullion.

Note: 16 VDC and 28 VDC solenoid are sold as replacement parts for existing strikes. Please contact customer care for details.

Application notes:

- 1/2" projection blade stop shim 010055-XX available for use on cased opening or blade stop frames. Specify when using 55 rim devices. May also be used with vertical rod exit devices noted on previous page x Pullman latch LBR (non-fire rated).
- When used to replace Folger Adam 310-4, minor frame prep modification required.
- 1/2" projection blade stop shim 010055-XX available for use on cased opening or blade stop frames (non-fire rated).
- Surface applied strike designed to replace Folger Adam 310-5 with different mounting hole locations from Folger Adam.
- Designed to mount on inactive leaf.

Rim exit device compatibility 6111, 6112, 6113 and 6121 strikes

Manufacturer	Device
Von Duprin	22, 33A, 35A, 55 ¹ , 88, 98, 99 8827 LBR ⁴ x Pullman latch Non-Fire rated 9827 LBR ⁴ x Pullman latch Non-Fire rated 9927 LBR ⁴ x Pullman latch Non-Fire rated
Falcon ²	19-R, 24-R, 25-R
Falcon	1790
Precision ²	2100
Sargent	2800, 6500, 6800, 8500, 8800, 9500, 9800 ³ , 9898
Yale	1500, 700

1. Strike must be factory modified, specify when using with a 55 Rim device.
2. Deadlocking feature will not properly function, consult factory.
3. Panic only, not fire-rated.
4. 6111 is recommended for LBR applications.

Note: When using a lockset not listed or when retrofitting an existing application, please contact Von Duprin technical support for application assistance.

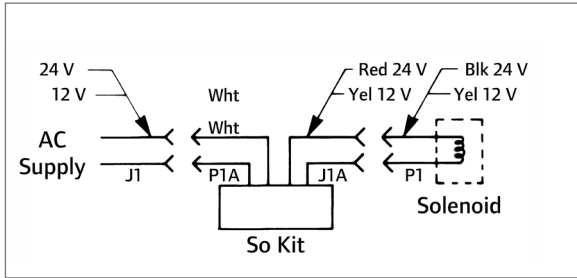
6100 Series power requirements

Models	Voltage	Current	Duty	Amps	Ohms
All	12V	DC	Continuous	0.60	21
All	24V	DC	Continuous	0.33	83

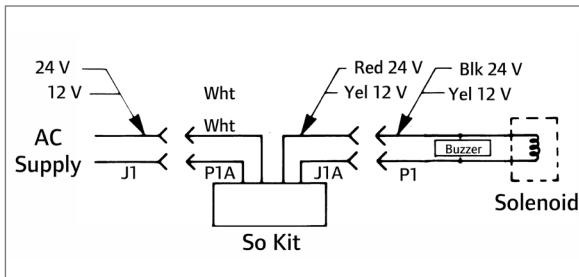
Continuous duty = Energized 1 minute or more

Wiring

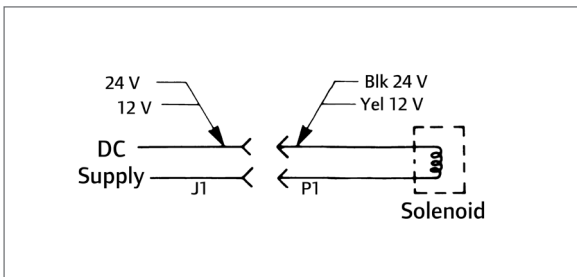
AC



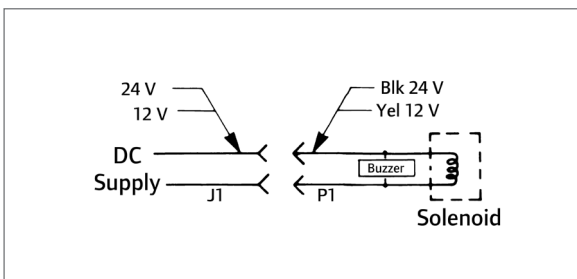
AC with buzzer



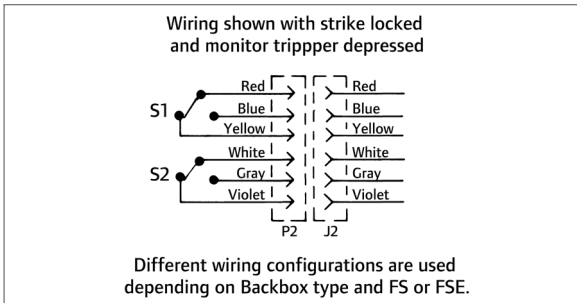
DC



DC with Buzzer

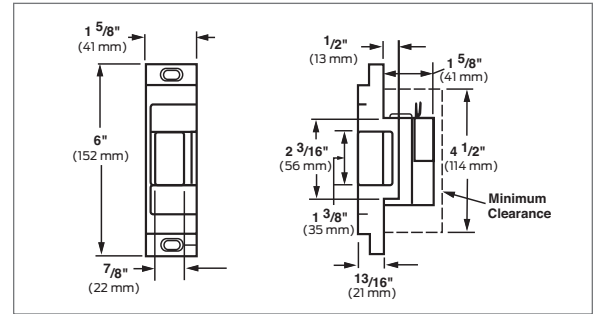


Optional DS (FSE Shown)

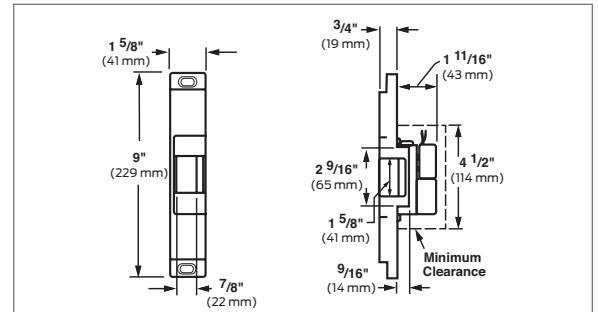


Dimensions

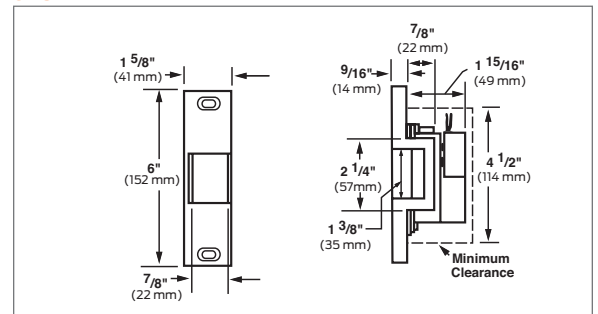
6111



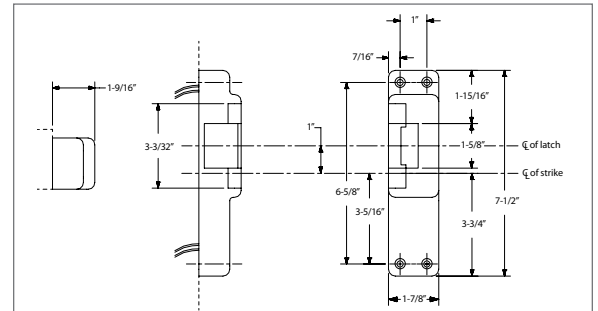
6112



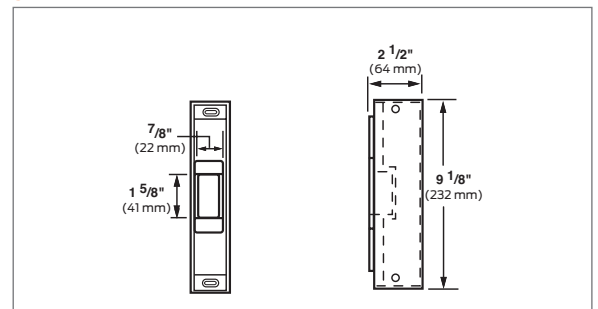
6113



6114



6121



Ordering information

6112-FSE-DS-24-S024-US3-EB-CON

Model	Power failure mode	Dual switch*	Voltage	Rectifier kit*	Finish	Buzzer*	Allegion Connect*
1	2	3	4	5	6	7	8

* Optional

Selections correspond with the numbers above

1	Model
Reference specification chart to make the proper model selection	
2	Power failure mode
FSE	Fail-secure. Requires power to be applied to unlock the strike lip. On loss of power, the strike lip is locked. Fire-rated.
FS	Fail-safe. Requires power to be applied to lock the strike lip. On loss of power, the strike lip is unlocked. Non-fire-rated.
3	Dual switch (optional)
DS	Monitors latch bolt and lock status. DS switches rated for 24 VDC at .050 - 2.0 amps.
DS-LC	Low current option for computer monitoring. Monitors latch bolt & lock status. DS-LS switches rated for 24 VDC at .050 amp or less.
4	Voltage (VDC)
24	Low voltage DC power
12	Low voltage DC power
If AC power is required, specify rectifier kit.	
5	Rectifier kit (optional)

S012	Converts 12 VAC voltage to 12 VDC to operate the solenoid
S024	Converts 24 VAC voltage to 24 VDC to operate the solenoid
6	Finish
US3/BHMA 605	Plated polished brass on stainless steel
US4/BHMA 606	Plated satin brass on stainless steel
US10/BHMA 612	Plated satin bronze on stainless steel
US10B/BHMA 613	Plated dark bronze, oil rubbed on stainless steel
US32/BHMA 629	Stainless steel, polished
US32D/BHMA 630	Stainless steel, satin
7	Buzzer (optional)
EB	Entry Buzzer
Only available if Fail-Secure (FSE) is specified.	
8	Allegion Connect
CON	Allegion Connect Connector
6 in. wire extension harness available	

Allegion, the Allegion logo, Von Duprin, the Von Duprin logo, and Falcon are trademarks of Allegion plc, its subsidiaries and/or affiliates in the United States and other countries. All other trademarks are the property of their respective owners.

About Allegion

Allegion (NYSE: ALLE) is a global pioneer in seamless access, with leading brands like CISA®, Interflex®, LCN®, Schlage®, SimonsVoss® and Von Duprin®. Focusing on security around the door and adjacent areas, Allegion secures people and assets with a range of solutions for homes, businesses, schools and institutions. Allegion had \$2.7 billion in revenue in 2020, and its security products are sold around the world. For more, visit www.allegion.com



ALLEGION™